



User manual
Washing machine

HW80-B1239N
HW90-B1239N
HW100-B1239N

EN

Haier

Thank you for purchasing a Haier Product.

Please read these instructions carefully before using this appliance. The instructions contain important information which will help you get the best out of the appliance and ensure safe and proper installation, use and maintenance.

Keep this manual in a convenient place so you can always refer to it for the safe and proper use of the appliance.

If you sell the appliance, give it away, or leave it behind when you move house, make sure you also pass this manual so that the new owner can become familiar with the appliance and safety warnings.



Legend

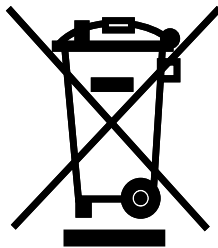
Warning – Important Safety information



General information and tips



Environmental information



Disposal

Help protect the environment and human health. Put the packaging in applicable containers to recycle it. Help to recycle waste of electrical and electronic appliances. Do not dispose appliances marked with this symbol with the household waste. Return the product to your local recycling facility or contact your municipal office.



WARNING!

Risk of injury or suffocation!

Disconnect the appliance from the mains supply. Cut off the mains cable and dispose of it. Remove the door catch to prevent children and pets to get closed in the appliance.

| | |
|------------------------------|----|
| 1-Safety information..... | 4 |
| 2-Product description | 7 |
| 3-Control panel | 8 |
| 4-Programmes..... | 11 |
| 5-Consumption..... | 12 |
| 6-Daily use | 13 |
| 7-Eco-friendly washing | 18 |
| 8-Care and cleaning | 19 |
| 9-Troubleshooting | 22 |
| 10-Installation..... | 25 |
| 11-Technical data..... | 29 |
| 12-Customer service | 30 |

Before switching on the appliance for the first time read the following safety hints!



WARNING!

Before first use

- ▶ Make sure there is no transport damage.
- ▶ Make sure all transport bolts are removed.
- ▶ Remove all packaging and keep out of children's reach.
- ▶ Handle the appliance always with at least two persons because it is heavy.

Daily use

- ▶ This appliance can be used by children aged from 8 years and above and persons with reduced physical, sensory or mental capabilities or lack of experience and knowledge if they have been given supervision or instruction concerning use of the appliance in a safe way and understand the hazards involved.
- ▶ Keep away children under 3 years of age from the appliance unless they are constantly supervised.
- ▶ Children shall not play with the appliance.
- ▶ Do not let children or pets come close to the appliance when the door is open.
- ▶ Store washing agents out of reach of children.
- ▶ Pull up zips, fix loose threads and take care for small items to prevent laundry from being entangled. If necessary, use an appropriate bag or net.
- ▶ Do not touch or use the appliance when barefoot or with wet or damp hands or feet.
- ▶ Do not cover or encase the appliance during operation or afterwards to allow any moisture or dampness to evaporate.
- ▶ Do not place heavy objects or sources of heat or damp on top of the appliance.
- ▶ Do not use or store flammable detergent or dry cleaning agent in close vicinity to the appliance.
- ▶ Do not use any flammable sprays in close vicinity to the appliance.
- ▶ Do not wash any garments treated with solvents in the appliance without having dried them previously in the air.

**WARNING!****Daily use**

- ▶ Do not remove or insert the plug in the presence of flammable gas
- ▶ Do not hot wash foam rubber or sponge-like materials.
- ▶ Do not wash any laundry which is polluted with flour.
- ▶ Do not open detergent drawer during any wash cycle.
- ▶ Do not touch the door during the washing process, it gets hot.
- ▶ Do not open the door if the water level is visibly over the porthole.
- ▶ Do not force the door to open. The door is fitted with a self-lock device and will open shortly after the washing procedure is ended.
- ▶ Switch off the appliance after each wash programme and before undertaking any routine maintenance and disconnect the appliance from the electrical supply to save electricity and for safety.
- ▶ Hold the plug, not the cable, when unplugging the appliance.

Maintenance / cleaning

- ▶ Make sure children are supervised if they carry out cleaning and maintenance.
- ▶ Disconnect the appliance from the electrical supply before undertaking any routine maintenance.
- ▶ Keep the lower part of the porthole clean and open door and detergent drawer if appliance is not in use to prevent odours.
- ▶ Do not use water spray or steam to clean the appliance.
- ▶ Replace a damaged supply cord only by the manufacturer, its service agent or similarly qualified persons in order to avoid a hazard.
- ▶ Do not try to repair the appliance by yourself. In case of repair please contact our customer service.

Installation

- ▶ The appliance should be placed in a well-ventilated place. Ensure a location which allows opening the door fully.
- ▶ Never install the appliance outdoors in a damp place, or in an area which may be prone to water leaks such as under or near a sink unit. In the event of a water leak cut power supply and allow the machine to dry naturally.



WARNING!

Installation

- ▶ Install or use the appliance only where the temperature is above 5 °C.
- ▶ Do not place the appliance directly on a carpet, or close to a wall or furniture.
- ▶ Do not install the appliance in direct sunlight or in the near of heat sources (e.g. stoves, heaters).
- ▶ Make sure that the electrical information on the rating plate agrees with the power supply. If it does not, contact an electrician.
- ▶ Do not use multi-plug adapters and extension cables.
- ▶ Make sure only the delivered electric cable and hose set are used.
- ▶ Make sure not to damage the electric cable and the plug. If damaged have it replaced by an electrician.
- ▶ Use a separate earthed socket for the power supply which is easy accessible after installation. The appliance must be earthed.
- ▶ Make sure the hose joints and connections are firm and there is no leakage.

Intended use

This appliance is intended for washing machine-washable laundry only. Anytime follow the instructions given on the label of each garment label. It is designed exclusively for domestic use inside the house. It is not intended for commercial or industrial use.

Changes or modifications to the device are not allowed. Unintended use may cause hazards and loss of of all warranty and liability claims.

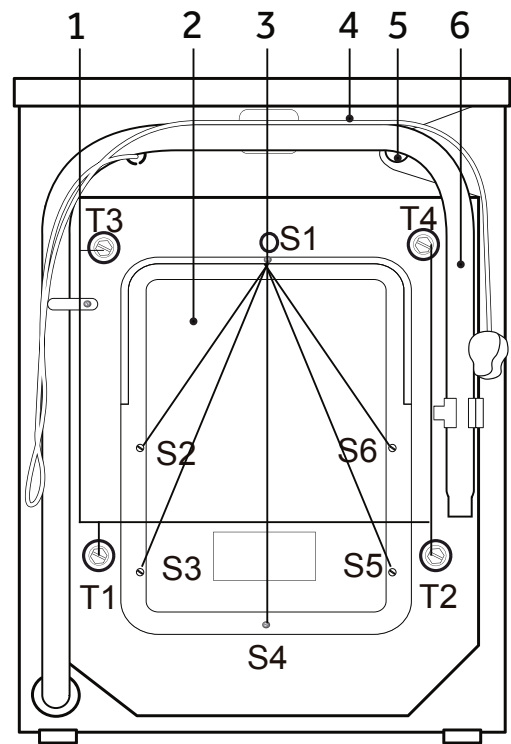
i Note:

Due to technical changes and different models, the illustrations in the following chapters may differ from your model.

2.1 Picture of appliance




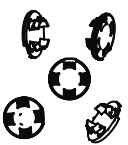




- 1. Detergent / Softener drawer
- 2. Programme selector
- 3. Worktop
- 4. Display
- 5. Rating plate
- 6. Service flap
- 7. Adjustable feet



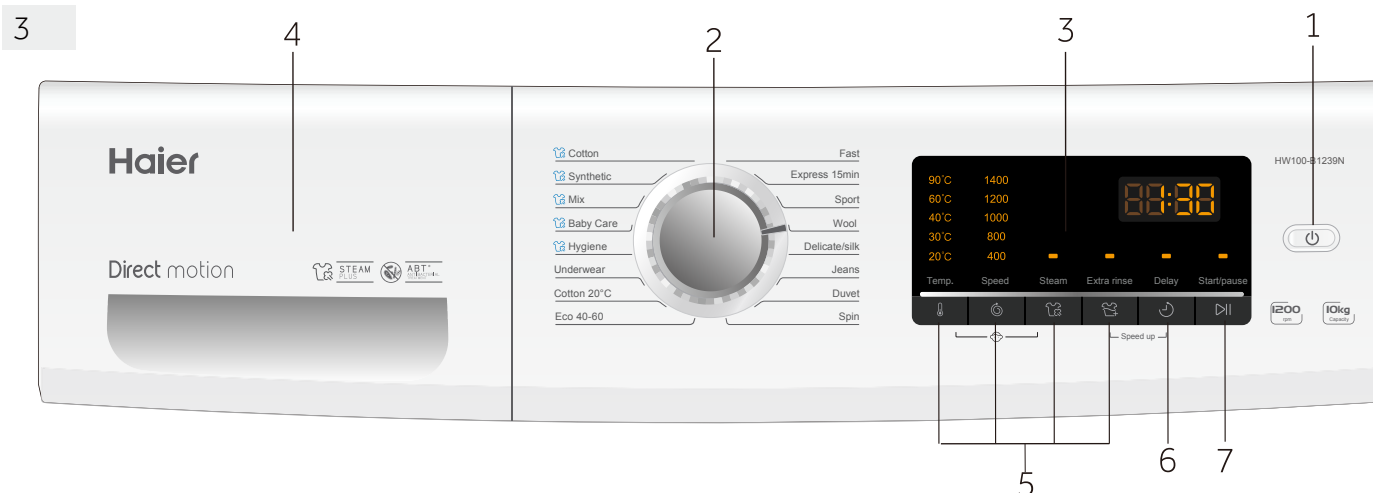
- 1. Transportation bolts (T1-T4)
- 2. Back cover
- 3. Back cover screws (S1-S6)
- 4. Power cord
- 5. Water inlet valve
- 6. Drain hose

2.2 Accessories

Check the accessories and literature in accordance with this list (Fig.: 2-3).

| | | | | | |
|---|---|---|--|---|---|
|  |  |  |  |  |  |
| Inlet hose-assembly | 5 Blanking plugs | Noise reduction pads | Drain hose bracket | Warranty card | User manual |

2-3



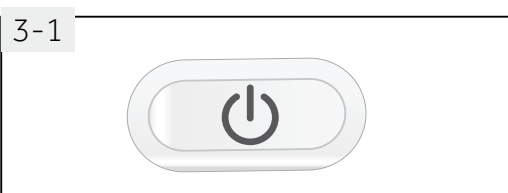
- 1 "On/Off" button
- 2 Programme selector
- 3 Display
- 4 Detergent /Softener drawer
- 5 Function buttons
- 6 "Delay" button
- 7 "Start/Pause" button

i Note : Acoustic signal

In following cases an acoustic signal sounds:

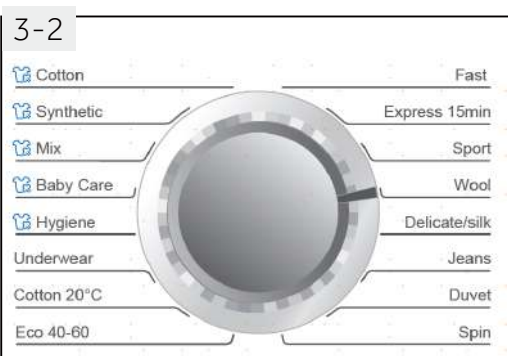
- ▶ when pressing a button
- ▶ when turning the programme selector
- ▶ at the end of programme
- ▶ in case of failures

The acoustic signal can be deselected if necessary; see DAILY USE.



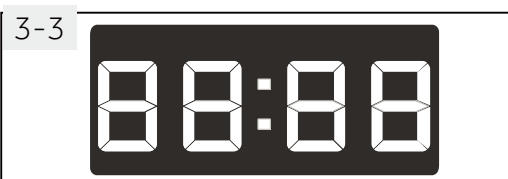
3.1 "On/Off" button

Press this button (Fig. 3-1) gently to switch on, the display is shining, the indicator of the "Start/Pause" button is flashing. Press it again for about 2 seconds to switch off. If no panel element or programme is activated after a while machine will shut down automatically.



3.2 Programme selector

By turning the knob (Fig. 3-2) one of 16 programmes can be selected .



3.3 Display

The display (Fig. 3-3) shows following information:

- ▶ Washing time
- ▶ End time delay
- ▶ Error codes and service information

3.4 Detergent / Softener drawer

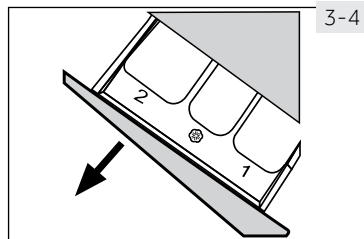
Open the drawer, three compartments can be seen (Fig. 3-4):

Compartment 1 : Water inlet only, no detergent

Compartment 2 : Detergent for programme

Compartment  : Softener, Conditioning agent etc.

The recommendation on the type of detergents is suitable for the various washing temperatures, please refer to the manual of detergent.



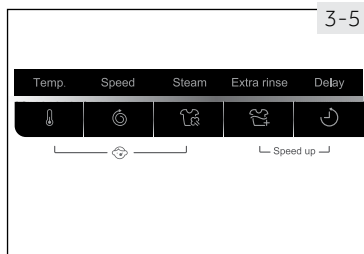
3.5 Function buttons

The function buttons (Fig. 3-5) enables additional options in the selected programme before programme start. The related indicators are displayed.

By switching off the appliance or setting a new programme, all options are disabled.

If a button has multiple options, the desired option can be selected by pressing the button sequentially.

To delete the setting or to cancel the setting process, press the function button until the desired LED lights or -in case of only one option- the LED switches off.



Note: Factory settings

To get best results in each programme Haier has well defined specific default settings. If there is no special requirement default settings are recommended.

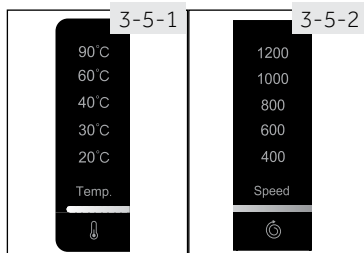
3.5.1-Function button "Temp."

Press this button (Fig. 3-5-1) to change the washing temperature of the programme. If no value is illuminated the water will not be heated.

In conjunction with the "Steam" button, the child lock function can be switch on/off (see CHILD LOCK).

3.5.2-Function button "Speed"

Press this button (Fig. 3-5-2) to change or deselect the spin of the programme. If no value is illuminated the laundry will not spun.



3.5.3-Function button "Steam"

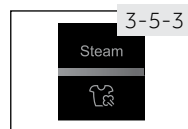
Press this button (Fig. 3-5-3) to activate the steam function.

When this function is activated the default temperature is the maximum temperature of the programme selected.

This function can be activated only with the following programmes: Hygiene, Baby Care, Mix, Synthetic, Cotton.

When the function is activated the led above the button will light up.

Pushing again this button the function can be deactivated and the led above the button will turn off.



When the function is activated the temperature of the programme cannot be changed. If "Temp." button is pushed the "Steam" function will be deactivated. You can activate "Steam" function only before to start any programme. You cannot activate "Steam" function while the appliance is already executing a programme.

3-5-4

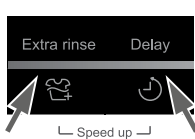


3.5.4 Function button "Extra rinse"

Press this button (Fig. 3-5-4) to rinse the laundry more intense with fresh water. This is recommended for people with sensitive skin.

By pressing the button several times one to three additional cycles can be selected. They appear in the display with P--1/P--2/P--3.

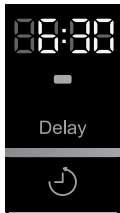
3-5-5



3.5.5 Function "Speed up"

This function saves time and energy. Preferable if laundry is slightly soiled. Press simultaneously button "Extra rinse." and "Delay" (Fig. 3-5-5) for about 3 seconds to activate the "Speed up" function; **SPEED UP** is displayed. This function is not available in all programmes (see PROGRAMMES).

3-6



3.6 Function button "Delay"

Press this button (Fig. 3-6) to start the programme with a delay. End time delay could be increased in steps of 30 minutes from 0,5-24h. For example display off **6:30** means end of programme cycle will be in 6 hours and 30 minutes. Press "Start/Pause" button to activate the time delay. It is not applicable to programme SPIN.

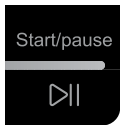
The default delay setting time is greater than the running time of the program.



Note: Liquid detergent

If using liquid detergent, it is not recommended to activate the end time delay.

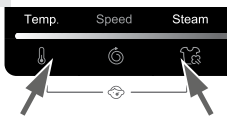
3-7



3.7 "Start/Pause" button

Press this button (Fig. 3-7) gently to start or interrupt the currently displayed programme. During programme setting and during programme run the LED above the button is shining, or if interrupted blinking.

3-8-1



3.8 Child lock

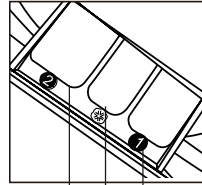
Press button "Temp." and "Steam" (Fig. 3-8-1) for 3 seconds simultaneously to block all panel elements against activation. For unlocking please press again the two buttons.

3-8-2



The display shows **CLrd** (Fig. 3-8-2) if a button will be pressed, when the child lock is activated. The change is not running.

● Yes, ○ Optional, / No



Detergent compartment for:
 ① Water inlet only, no detergent
 ② Detergent
 ☆ Softener or care product

| Programme | Max. load 1) in kg HW80-B1239N HW90-B1239N HW100-B1239N | Temperature | | Preset | 2 | ☆ | 1 | Fabric type | Preset spin speed in rpm | Function | | |
|---------------------------------|--|-----------------------|-----------------|--------|---|---|---|-------------|-----------------------------|----------|-------------|----------|
| | | in °C | seletable range | | | | | | | Steam | Extra rinse | Speed up |
| Cotton | 8/9/10 | * to 90 ²⁾ | 40 | ● | ○ | / | Cotton | 1200 | ● | ● | ● | |
| Synthetic | 4/4.5/5 | * to 60 | 40 | ● | ○ | / | Synthetics or mixed fabric | 1200 | ● | ● | ● | |
| Mix | 8/9/10 | * to 60 | 30 | ● | ○ | / | Lightly soiled mixed-laundry of cotton and synthetics | 1000 | ● | ● | ● | |
| Baby Care | 4/4.5/5 | * to 90 ²⁾ | 40 | ● | ○ | / | Cotton/Synthetics | 1000 | ● | ● | ● | |
| Hygiene | 4/4.5/5 | 90 | 90 | ● | ○ | / | Cotton | 1000 | ● | ● | / | |
| Underwear | 4/4.5/5 | * to 60 | 40 | ● | ○ | / | Underwear | 1000 | / | ● | ● | |
| Cotton 20°C | 8/9/10 | 20 | 20 | ● | ○ | / | Cotton | 1200 | / | ● | ● | |
| Eco 40-60 | 8/9/10 | / | / | ● | ○ | / | Cotton | / | / | / | / | |
| Fast ³⁾ | 4/4.5/5 | * to 40 | 40 | ● | ○ | / | Lightly soiled laundry made of cotton or synthetics | 1000 | / | ● | / | |
| Express ³⁾ 15 min | 2/2.25/2.5 | * to 40 | * | ● | ○ | / | Cotton / Synthetics | 1000 | / | ● | / | |
| Sport | 4/4.5/5 | * to 40 | 20 | ● | ○ | / | Sports wear | 800 | / | ● | / | |
| Wool | 2/2.25/2.5 | * to 40 | * | ● | / | / | Machine-washable fabric made of wool or with wool content | 800 | / | ● | / | |
| Delicate/silk | 2/2.25/2.5 | * to 30 | 30 | ● | / | / | Delicate laundry and silk | 400 | / | ● | / | |
| Jeans | 4/4.5/5 | * to 60 | 30 | ● | ○ | / | Cotton | 1000 | / | ● | ● | |
| Duvet | 2/2.25/2.5 | * to 40 | 40 | ● | / | / | Duvet | 800 | / | ● | ● | |
| Spin | 8/9/10 | / | / | / | / | / | all fabrics | 1000 | / | / | / | |

¹⁾Relating to dry laundry.

²⁾Choose 90 °C wash temperature only for special hygiene requirements. *: water will not heated (no value is illuminated).

³⁾Reduce detergent amount because programme duration is short.

Scan QR code on energy label for energy consumption information.

The actual energy consumption may differ from the declared one according to local conditions.

EU1015/2010 program

Select Eco 40-60, press "speed" 10s, then adjust to 60°C/40°C with max. spin speed. The standard 60°C and 40°C cotton programmes are suitable to clean normally soiled cotton laundry. They are the most efficient programmes in terms of combined energy and water consumption for cotton laundry. Actual water temperature may differ from declared cycle temperature.



Note: Auto Weight

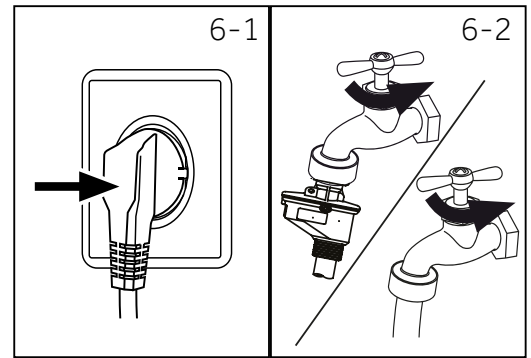
The appliance is equipped with a loading recognition. At low loading, energy, water and washing time will be reduced automatically in some programs (Cotton, Synthetic, Mix, Baby Care, Cotton 20°C, Eco 40-60). The display shows **AUTO**.

6.1 Power supply

Connect the washing machine to a power supply (220V to 240V~/50Hz; Fig. 6-1). Please refer also to section INSTALLATION.

6.2 Water connection

- ▶ Before connecting check the cleanliness and clarity of the water inlet.
- ▶ Turn on the tap (Fig.6-2).

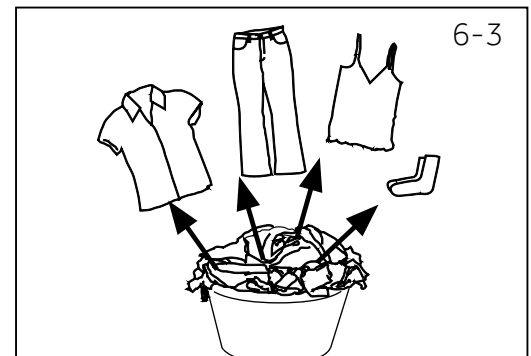


i Note: Tightness

Before use check for leakage in the joints between the tap and the inlet hose by turning on the tap.

6.3 Preparing laundry

- ▶ Sort out clothes according to fabric (cotton, synthetics, wool or silk etc.) and to how dirty they are (Fig. 6-3). Pay attention to the care labelling of washing labels.
- ▶ Separate white clothes from coloured ones. Wash coloured textiles first by hand to check if they fade or run.
- ▶ Empty pockets (keys, coins, etc.) and remove harder decorative objects (e.g. brooches).
- ▶ Garments without hems, delicates and finely woven textile such as fine curtains are to be put into a wash bag to care for this delicate laundry (hand or dry cleaning would be better).
- ▶ Close zippers, velco fastener and hooks, make sure the buttons are sewn on tightly.
- ▶ Place sensitive items like laundry without firm hem, delicate underwear (Dessous) and small items such as socks, belts, bras, etc. in a wash bag.
- ▶ Unfold large pieces of fabric such as bed sheets, bedspreads etc.
- ▶ Turn jeans and printed, decorated or color-intensive textiles inside out; possibly wash separately.



! CAUTION!

Non-textile, as well as small, loose or sharp-edged items may cause malfunctions and damage of clothes and appliance.

Care chart

| Washing | | |
|---|--|---|
|  Washable up to 95°C normal process |  Washable up to 60°C normal process |  Washable up to 60°C mild process |
|  Washable up to 40°C normal process |  Washable up to 40°C mild process |  Washable up to 40°C very mild process |
|  Washable up to 30°C normal process |  Washable up to 30°C mild process |  Washable up to 30°C very mild process |
|  Wash by hand max. 40°C |  Do not wash | |
| Bleaching | | |
|  Any bleaching allowed |  Only oxygen/ non -chlorine |  Do not bleach |
| Drying | | |
|  Tumble drying possible normal temperature |  Tumble drying possible lower temperature |  Do not tumble dry |
|  Line drying |  Flat drying | |
| Ironing | | |
|  Iron at a maximum temperature up to 200 °C |  Iron at a medial temperature up to 150°C |  Iron at a low temperature up to 110 °C; without steam (steam ironing may cause irreversible damage) |
|  Do not iron | | |
| Professional Textile Care | | |
|  Dry cleaning in tetra-chloroethene |  Dry cleaning in hydrocarbons |  Do not dry clean |
|  Professional wet clean |  Do not professional wet clean | |

6.4 Loading the appliance

- ▶ Put in the laundry piece by piece.
- ▶ Don't overload. Note the different maximum load according to programmes! Rule of thumb for maximum load: Keep six inches between load and drum top.
- ▶ Close the door carefully. Make sure that no pieces of laundry are pinched.

6.5 Selecting detergent

- ▶ Washing efficiency and performance is determined by used detergent quality.
- ▶ Use only machine wash approved detergent.
- ▶ If needed use specific detergents, e.g. for synthetic and woolen fabric.
- ▶ Mind always detergent manufacturer recommendations.
- ▶ Do not use dry cleaning agents such as trichloroethylene and similar products.

Choose the best detergent

| Programme | Kind of detergent | | | | |
|---------------|-------------------|--------|----------|---------|----------|
| | Universal | Colour | Delicate | Special | Softener |
| Cotton | L/P | L/P | - | - | o |
| Synthetic | - | - | L/P | - | o |
| Mix | L/P | L/P | - | - | o |
| Baby Care | L/P | L/P | - | - | o |
| Hygiene | L/P | L/P | L | - | o |
| Underwear | L/P | L/P | - | - | o |
| Cotton 20°C | L/P | L/P | - | - | o |
| Eco 40-60 | L/P | L/P | - | - | o |
| Fast | L/P | L/P | - | - | o |
| Express 15min | L | L | - | - | o |
| Sport | - | - | - | L | o |
| Wool | - | - | L/P | L/P | - |
| Delicate/silk | - | - | - | L/P | - |
| Jeans | L/P | L/P | L | - | o |
| Duvet | - | - | L | L/P | - |

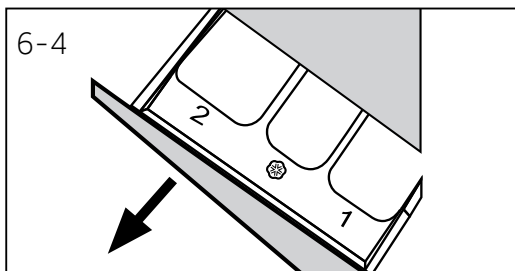
L = gel-/liquid detergent P = powder detergent O = optional - = no

If using liquid detergent, it is not recommended to activate the time delay.

We recommend by using:

- ▶ Laundry powder: 20°C to 90°C* (best use: 40-60°C)
- ▶ Color detergent: 20°C to 60°C (best use: 30-60°C)
- ▶ Wool/delicate detergent: 20°C to 30°C (best use: 20-30°C)

* Choose 90 °C wash temperature only for special hygienic requirements.

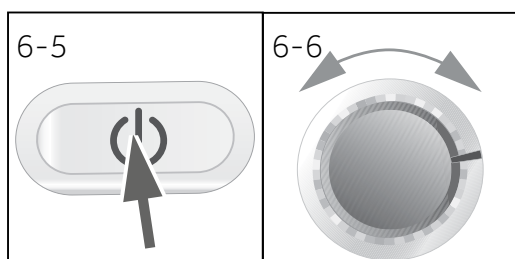


6.6 Adding detergent

1. Slide out the detergent drawer.
2. Put the required chemicals into corresponding compartments (Fig. 6-4).
3. Push back the drawer gently.

i Note:

- ▶ Remove detergent residues before next wash cycle from the detergent drawer.
- ▶ Do not overuse detergent or softener.
- ▶ Please follow the instruction on the detergent package.
- ▶ Always fill the detergent just before the beginning of the wash cycle.
- ▶ Concentrated liquid detergent should be diluted before adding into compartment 2.
- ▶ The best use of liquid detergent is by using a dosing ball, which is given with the laundry into the washing machine.
- ▶ Do not use liquid detergent if "Delay" is selected.
- ▶ Carefully choose the programme settings according to the care symbols on all laundry labels and according to the programme table.



6.7 Switch on the appliance

Press the "On/Off" button to switch on the appliance (Fig. 6-5). The LED of the "Start/Pause" button is flashing.

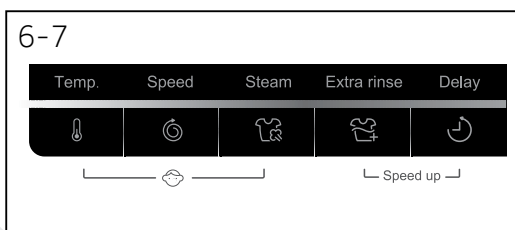
6.8 Select a programme

To get the best washing results, select a programme which fits the degree of soiling and sort of laundry type.

Turn the programme knob (Fig. 6-6) to select the right programme.

i Note: Odour removal

Before first use we recommended to run programme HYGIENE with no load and small amount of detergent in washing agent compartment (2) or special machine cleaner to remove possibly corruptive residues.



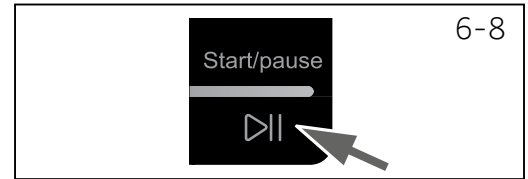
6.9 Add individual selections

Select required options and settings (Fig. 6-7); refer to CONTROL PANEL.

6.10 Start wash programme

Press "Start/Pause" button (Fig. 6-8) to start. The LED of the "Start/Pause" button stops flashing and lights up continuously.

Appliance operates according to present settings. Changes are only possible by cancelling the programme.



6.11 Interrupt / cancel wash programme

To interrupt a running programme press gently "Start/Pause". The LED above the button is flashing. Press it again to resume operation.

To cancel a running programme and all its individual settings:

1. Press "Start/Pause" button to interrupt the running programme.
2. Press "On/Off" button for about 2 seconds to switch the appliance off.
3. Press "On/Off" button to turn on the appliance, select programme Spin and then select "no Speed" (speed lights are off), start the machine to drain the water.
4. After closing the program to restart the appliance, select a new programme and start it.

Note: Door lock

- ▶ For safety reasons the door is locked partially during the washing cycle. It is only possible to open the door at the end of the programme or after the programme was cancelled correctly (see description above).
- ▶ In case of high water level, high water temperature and during spinning it is not possible to open the door; **Loct** is displayed

3.

6.12 After washing

1. At programme cycle end **End** is displayed.
2. The appliance switches off automatically.
3. Remove laundry as soon as possible to go easy on it and to prevent more wrinkling.
4. Turn off the water supply.
5. Unplug the power cord.
6. Open the door to prevent formation of moisture and odours. Let it open while not used.

Note: Standby mode / energy-saving mode

The switched on appliance will go into standby mode if it will not be activated within 2 minutes before starting the program or at the end of program. The display switches off. This saves energy. To interrupt the standby mode push "Start/Pause" button.

6.13 Activate or deactivate the buzzer

The acoustic signal can be deselected if necessary:

1. Switch on the appliance.
2. Select the SPIN programme.
3. Press the "Steam" button and "Extra rinse" button at the same time for about 3 seconds. **bEEP OFF** will be displayed and the buzzer will be deactivated.

For activating the buzzer press these two buttons at the same time again. **bEEP On** will be displayed.



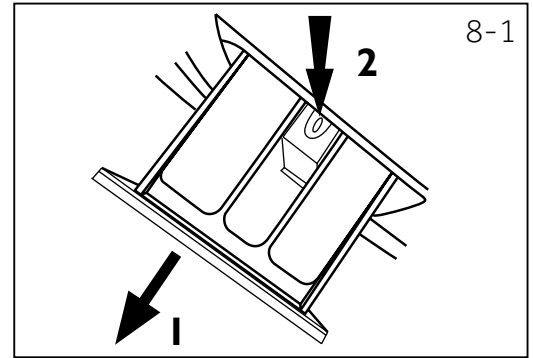
Environmentally responsible use

- ▶ To achieve best use of energy, water, detergent and time you should use the recommended maximum load size.
- ▶ Do not overload (hand width clearance above laundry).
- ▶ For slightly soiled laundry select the Quick Wash programme.
- ▶ Apply exact dosages of each washing agent.
- ▶ Choose the lowest adequate washing temperature - modern detergents are efficiently cleaning below 60°C.
- ▶ Raise default settings only due to heavy staining.
- ▶ Select max. spinning speed if a domestic dryer is used.

8.1 Cleaning the detergent drawer

Take always care there are no detergent residues. Clean the drawer regularly (Fig. 8-1):

1. Pull out the drawer until it stops.
2. Press the release button and remove the drawer.
3. Flush the drawer with water until it is clean and insert the drawer back in the appliance.



8.2 Cleaning the machine

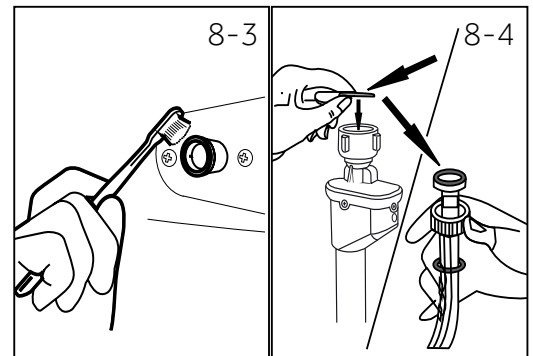
- ▶ Unplug the machine during cleaning and maintenance.
- ▶ Use a soft cloth with soap liquid to clean the machine case (Fig. 8-2) and rubber components.
- ▶ Do not use organic chemicals or corrosive solvents.



8.3 Water inlet valve and inlet valve filter

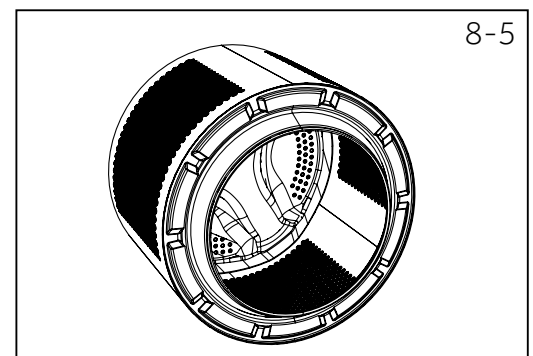
To prevent blockage of water supply by solid substances like lime clean regularly the inlet valve filter.

- ▶ Unplug the power cord and turn off the water supply.
- ▶ Unscrew the water inlet hose at the back (Fig. 8-3) of the appliance as well as on the tap.
- ▶ Flush the filters with water and a brush (Fig. 8-4).
- ▶ Insert the filter and install the inlet hose.



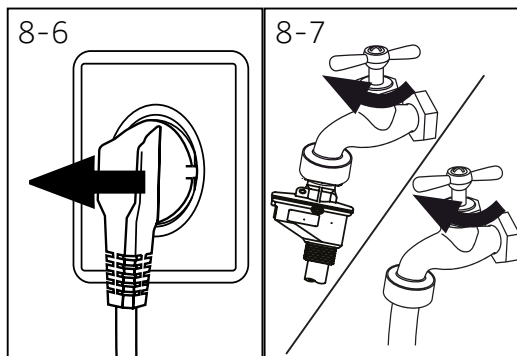
8.4 Cleaning the drum

- ▶ Remove accidentally washed metal parts such as pins, coins, etc. from the drum (Fig. 8-5) because they cause rust stains and damage.
- ▶ Use a non-chloride cleaner for removing rust stains. Observe the warning hints of the cleaning agent manufacturer.
- ▶ Do not use any hard objects or steel wool for cleaning.



Note: Hygiene

For regular maintenance we recommend to run programme HYGIENE with no load in order to remove possible corruptive residues quarterly. It is better to use a small amount of special machine cleaner in washing agent compartment (2).



8.5 Long periods of disuse

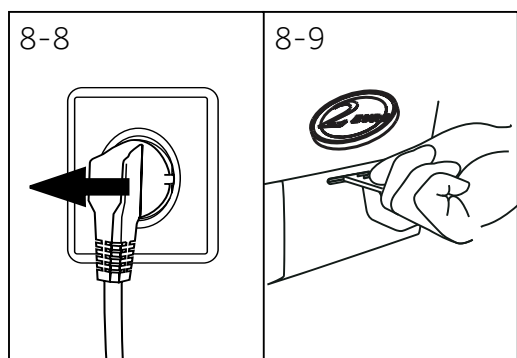
If the appliance is left idle for a longer period:

1. Pull out the electrical plug (Fig. 8-6).
2. Turn off water supply (Fig. 8-7).
3. Open the door to prevent formation of moisture and odours. Let door open while not used.

Before next usage check carefully power cord, water inlet and drain hose. Make sure everything is properly installed and without leakage.

i Note: Hygiene

After long periods of disuse we recommended to run programme HYGIENE with no load and small amount of detergent in washing agent compartment (2) or special machine cleaner to remove possibly corruptive residues.



8.6 Pump filter

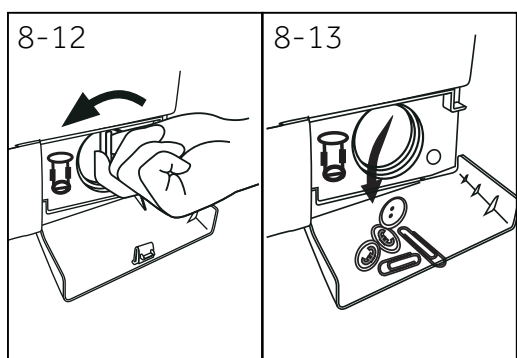
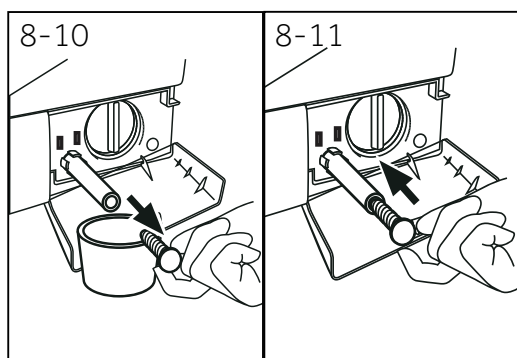
Clean the filter once a month and check the pump filter for instance if the appliance:

- ▶ Doesn't drain the water.
- ▶ Doesn't spin.
- ▶ Cause unusual noise while running.



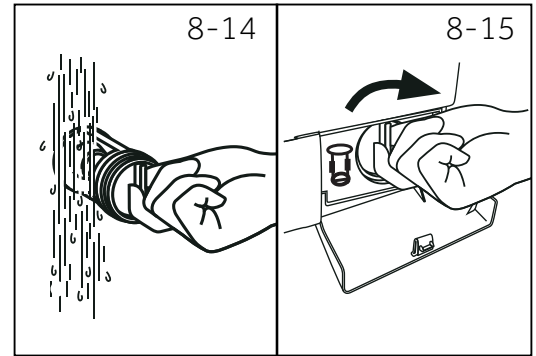
WARNING!

Scalding Risk! Water in the pump filter can be very hot! Before any action please ensure water has cooled down.



1. Turn off and unplug the machine (Fig. 8-8).
2. Open service flap. You can either use a coin or a screwdriver (Fig. 8-9).
3. Provide a flat container to catch leach water (Fig. 8-10). There could be bigger amounts!
4. Pull the drainhose out and hold its end above the container (Fig. 8-10).
5. Take the sealing plug out of the drainhose (Fig. 8-10).
6. After complete drainage close drainhose (Fig. 8-11). and push it back into the machine.
7. Unscrew and remove counter clockwise the pump filter (Fig. 8-12).
8. Remove contaminants and dirt (Fig. 8-13).

9. Clean carefully pump filter, e.g. using running water (Fig. 8-14).
10. Refix it thoroughly (Fig. 8-15).
11. Close service flap.



CAUTION!

- ▶ Pump filter sealing has to be clean and unhurt. If the lid is not full tightened, water can escape.
- ▶ The filter must be in place, or it may lead to leakage.

Many occurring problems could be solved by yourself without specific expertise. In case of a problem please check all shown possibilities and follow below instructions before you contact an after sales service. See CUSTOMER SERVICE.



WARNING!

- ▶ Before maintenance, deactivate the appliance and disconnect the mains plug from the mains socket.
- ▶ Electrical equipment should be serviced only by qualified electrical experts, because improper repairs can cause considerable consequential damages..
- ▶ A damaged power cable should only be replaced by the manufacturer, its service agent or similarly qualified persons in order to avoid a hazard.

9.1 Information codes

Following codes are displayed only for information referring to the washing cycle. No measures must be performed.

| Code | Message |
|-----------|---|
| t:25 | The remaining wash cycle time will be 1 hour and 25 minutes. |
| 6:30 | The remaining wash cycle time including chosen end-time delay will be 6 hours and 30 minutes. |
| P-- 1/2/3 | 1/2/3 additional rinses are choosen (see FUNCTION BUTTONS "Extra rinse"). |
| End | The washing cycle is finished. The appliance shuts off automatically. |
| cLrd | Function child lock is activated. |
| Loct | Door is closed because of high water level, high water temperature or spinning cycle. |
| bEEP OFF | The buzzer is deactivated. |
| bEEP ON | The buzzer is activated. |
| SPEED UP | Function "Speed up" is activated. |

9.2 Troubleshooting with display code

| Problem | Cause | Solution |
|---------|---|--|
| ELr FLr | <ul style="list-style-type: none"> • Drainage error. | <ul style="list-style-type: none"> • Clean pump filter. • Check drain hose installation. |
| E2 | <ul style="list-style-type: none"> • Lock error. | <ul style="list-style-type: none"> • Shut the door properly. |
| E4 | <ul style="list-style-type: none"> • Water level not reached. • Drain hose is self syphoning. | <ul style="list-style-type: none"> • Make sure that tap is fully opened and water pressure is normal. • Check drain hose installation. |
| EB | <ul style="list-style-type: none"> • Water protective level error. | <ul style="list-style-type: none"> • Contact the After sales service. |

| Problem | Cause | Solution |
|---------------------------|---|---|
| <i>F3</i> | <ul style="list-style-type: none"> Temperature sensor error. | <ul style="list-style-type: none"> Contact the After sales service. |
| <i>F4</i> | <ul style="list-style-type: none"> Heating error. | <ul style="list-style-type: none"> Contact the After sales service. |
| <i>F7</i> | <ul style="list-style-type: none"> Motor error. | <ul style="list-style-type: none"> Contact the After sales service. |
| <i>FA</i> | <ul style="list-style-type: none"> Water level sensor error. | <ul style="list-style-type: none"> Contact the After sales service. |
| <i>FE 1 or FE0 or FE2</i> | <ul style="list-style-type: none"> Abnormal communication error. | <ul style="list-style-type: none"> Contact the After sales service. |
| <i>Unb</i> | <ul style="list-style-type: none"> Unbalanced load error. | <ul style="list-style-type: none"> Check and balance laundry load in the drum. |

9.3 Troubleshooting without display code

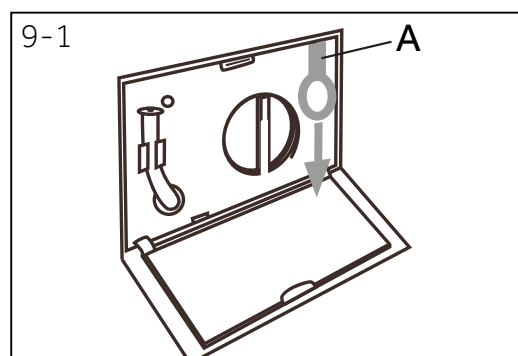
| Problem | Cause | Solution |
|--|---|--|
| Washing machine fails to operate. | <ul style="list-style-type: none"> Programme is not yet started. Door is not properly closed. Machine has not been switched on. Power failure. Child lock is activated. | <ul style="list-style-type: none"> Check programme and start it. Close the door properly. Switch the machine on. Check power supply. Deactivate child lock. |
| Washing machine will not be filled with water. | <ul style="list-style-type: none"> No water. Inlet hose is kinked. Inlet hose filter is blocked. Water pressure is less than 0.03 MPa. Door is not properly closed. Water supply failure. | <ul style="list-style-type: none"> Check water tap. Check inlet hose. Unblock inlet hose filter. Check water pressure. Close the door properly. Ensure the water supply. |
| Machine is draining while being filled. | <ul style="list-style-type: none"> Height of drain hose is below 80 cm. Drain hose end could reach into water. | <ul style="list-style-type: none"> Make sure that drain hose is properly installed. Make sure the drain hose is not in water. |
| Drainage failure. | <ul style="list-style-type: none"> Drain hose is blocked. Pump filter is blocked. Drain hose end is higher than 100 cm above floor level. | <ul style="list-style-type: none"> Unblock drain hose. Clean pump filter. Make sure that drain hose is properly installed. |
| Strong vibration while spinning. | <ul style="list-style-type: none"> Not all transportation bolts have been removed. Appliance has no solid position. Machine load is not correct. | <ul style="list-style-type: none"> Remove all transportation bolts. Ensure solid ground and a levelled position. Check load weight and balance. |
| Operation stops before completing wash cycle. | <ul style="list-style-type: none"> Water or electric failure. | <ul style="list-style-type: none"> Check power and water supply. |
| Operation stops for a period of time. | <ul style="list-style-type: none"> Appliance displays error code. Problem due to load pattern. Programme performs soaking cycle. | <ul style="list-style-type: none"> Consider display codes. Reduce or adjust load. Cancel programme and restart. |

| Problem | Cause | Solution |
|---|---|--|
| Excessive foam floats drum and/or detergent drawer. | <ul style="list-style-type: none"> • Detergent is not appropriate. • Excessive use of detergent. | <ul style="list-style-type: none"> • Check detergent recommendations. • Reduce amount of detergent. |
| Automatic adjustment of washing time. | <ul style="list-style-type: none"> • Washing programme duration will be adjusted. | <ul style="list-style-type: none"> • This is normal and doesn't affect functionality. |
| Spinning fails. | <ul style="list-style-type: none"> • Unbalance of laundry. | <ul style="list-style-type: none"> • Check machine load and laundry and run a spinning programme again. |
| Unsatisfactory washing result. | <ul style="list-style-type: none"> • Degree of pollution does not agree with selected programme. • Detergent quantity was not sufficient. • Maximum load has been exceeded. • Laundry was unevenly distributed in the drum. | <ul style="list-style-type: none"> • Select an other programme. • Choose the detergent acc. to the degree of pollution and acc. to manufacturer specifications. • Reduce loading. • Loose the laundry. |
| Washing powder residues are on the laundry. | <ul style="list-style-type: none"> • Insoluble particles of detergent can remain as white spots on the laundry. | <ul style="list-style-type: none"> • Perform extra rinse. • Try to brush the points from the dry laundry. • Choose an other detergent. |
| Laundry has grey patches. | <ul style="list-style-type: none"> • Caused by fats such as oils, creams or ointments. | <ul style="list-style-type: none"> • Pretreat the laundry with a special cleaner. |

Note: Foam formation

If too much foam is inspected during spin cycle, motor stops and drain pump will be activated for 90 seconds. If that elimination of foam fails up to 3 times, programme ends without spinning.

Should the error messages reappear even after the taken measures, switch off the appliance, disconnect the power supply and contact the customer service.



9.4 In case of power failure

The current programme and its setting will be saved. When power supply is restored operation will be resumed.

In case of power failure during programme run door opening is mechanically blocked. If the laundry is to be removed, the water level must not be visible in the glass door. - Danger of scalding!

- ▶ Lower the water level according to step 1 to 6 of chapter CARE AND CLEANING (PUMP FILTER).
- ▶ Pull lever (A) beneath service flap (Fig. 9-1) until door is unlocked by a gentle click.
- ▶ Fix all parts and close the service flap.

10.1 Preparation

- ▶ Take the appliance out of the packaging.
- ▶ Remove all packaging material including polystyrene base, keep them out of children's reach. While opening the package, water drops may be seen on plastic bag and port-hole. This normal phenomenon results from water tests in the factory.



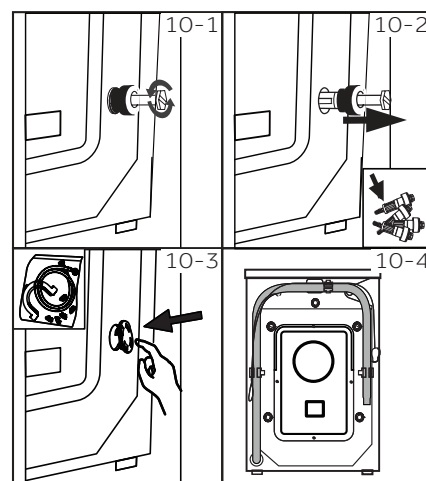
Note: Packaging disposal

Keep all packaging materials out of children's reach and dispose them in an environmentally friendly manner.

10.2 Dismantle the transportation bolts

The transportation bolts are designed for clamping anti-vibration components inside the appliance during transportation to prevent inner damage.

1. Remove all 4 bolts on the rear side and take out plastic spacers (Fig. 10-1)(Fig. 10-2).
2. Fill left holes with blanking plugs (Fig. 10-3)(Fig. 10-4).



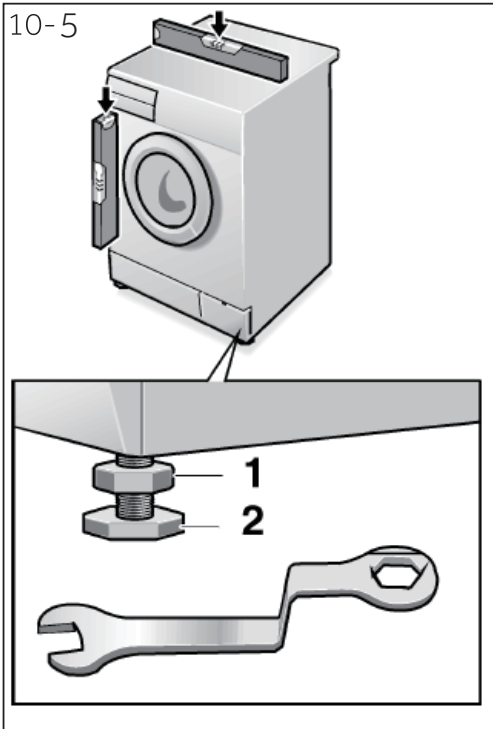
Note: Keep in safe place

Keep the transportation bolts in a safe place for later use. Whenever the appliance is to be moved at first reinstall the bolts.

10.3 Moving the appliance

If the machine is to be moved to a distant location, replace the transportation bolts removed before installation to prevent damage:

1. Remove the blanking plugs.
2. Remove the back cover.
3. Insert the plastic spacers and the transportation bolts.
4. Tighten the bolts with a spanner.
5. Replace the back cover.



10.4 Aligning the appliance

Adjust all feet (Fig. 10-5) to achieve a complete level position. This will minimize vibrations and thus noise during use. It will also reduce wear and tear. We recommend to use a spirit level for adjustment. Floor should be as stable and flat as possible.

1. Loose the locknut (1) by using a wrench.
2. Adjust the high by turning the foot (2).
3. Tighten locknut (1) against the housing.

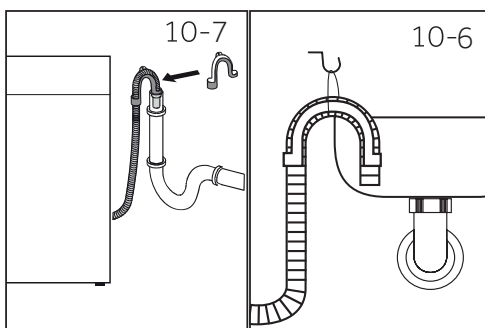
10.5 Drain water connection

Fix the water drain hose properly to the piping. The hose has to reach at one point a height between 80 and 100 cm above the appliance bottom line! If possible keep always drain hose fixed to the clip at the appliance back.



WARNING!

- ▶ Use only the supplied hose set for the connection.
- ▶ Never reuse old hose sets!
- ▶ Only connect to cold water supply.
- ▶ Before connection, check whether the water is clean and clear.



Following connections are possible:

10.5.1 Drain hose to sink

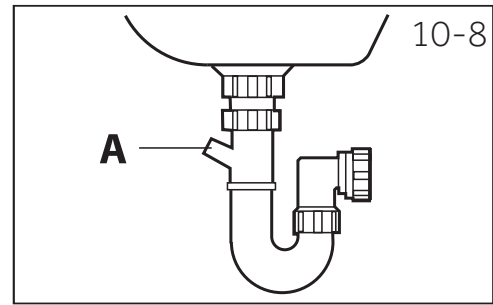
- ▶ Hang the drain hose with the U-support over the edge of a sink with adequate size (Fig. 10-6).
- ▶ Protect the U-support sufficiently against slipping.

10.5.2 Drain hose to waste water connection

- ▶ The internal diameter of the stand pipe with vent-hole must be minimum 40 mm.
- ▶ Put the drain hose for approx. 80 mm in the wastewater pipe.
- ▶ Attach the U-support and secure it sufficiently (Fig. 10-7).

10.5.3 Drain hose to sink connection

- ▶ The junction must lie above the siphon.
- ▶ A spigot connection is usually closed by a pad (A). That must be removed to prevent any disfunction(Fig.10-8).
- ▶ Secure the drain hose with a clamp.



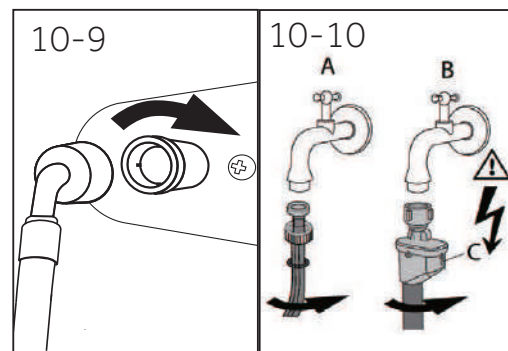
CAUTION!

- ▶ The drain hose should not be submerged in water and should be securely fixed and leak-free. If the drain hose is placed on the ground or if the pipe is at a height of less than 80 cm, the washing machine will continuously drain while being filled (self-siphoning).
- ▶ Drain hose is not to be extended. If necessary contact after sales service.

10.6 Fresh water connection

Make sure that the gaskets are inserted.

1. Connect the water inlet hose with the angled end to the appliance(Fig.10-9).Tighten the screw joint by hand.
2. The other end connect to a water tap with a 3/4"thread(Fig.10-10).



Note: Aqua-stop system:

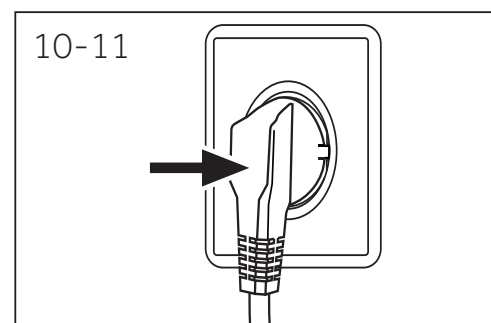
Some models are equipped with an aqua-stop inlet hose (B).The aqua-stop system protects against water damage by automatically cutting the fresh water supply in case of a leaking hose. This is indicated by a red marker (C). The hose must be replaced.

10.7 Electrical connection

Before each connection check if:

- ▶ Power supply, socket and fusing are appropriate to the rating plate.
- ▶ The power socket is earthed and no multi-plug or extension are used.
- ▶ The power plug and socket are strictly according.
- ▶ **Only UK:** The UK plug meets BS1363A standard.

Put the plug into the socket(Fig.10-11)





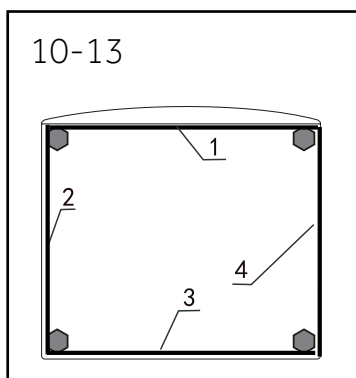
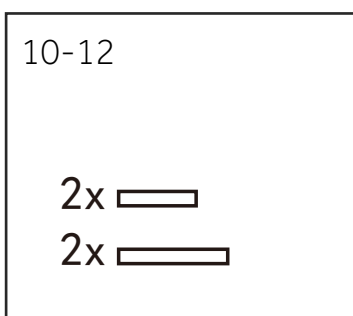
WARNING!

- ▶ Ensure always that all connections (power supply, drain and fresh water hose) are firm, dry and leak free!
- ▶ Take care these parts are never to be crushed, kinked, or twisted.
- ▶ If the supply cord is damaged, it must be replaced by the service agent (see warranty card) in order to avoid a hazard.



Note: Hygiene

After each installation or long periods of disuse, before first use and for regular maintenance run programme **HYGIENE** with no load and small amount of detergent in washing agent compartment (2) or with special machine cleaner to remove possibly corrosive residues.



10.8 Noise reduction pads installation instructions (2.2 Accessories Sponge)

1. When opening the shrink package, you will find the noise reduction pads. These are used for reducing noise. (Fig. 10-12)
2. Lay the washing machine down to its side, porthole pointing upwards, bottom side towards operator.
3. Take out the noise reduction pads and remove the double-sided adhesive protective film; the noise reduction pads under the washing machine cabinet as shown in Figure 10-13. (two longer pads in position 1 and 3, two shorter pads in position 2 and 4). Finally set the machine upright again.

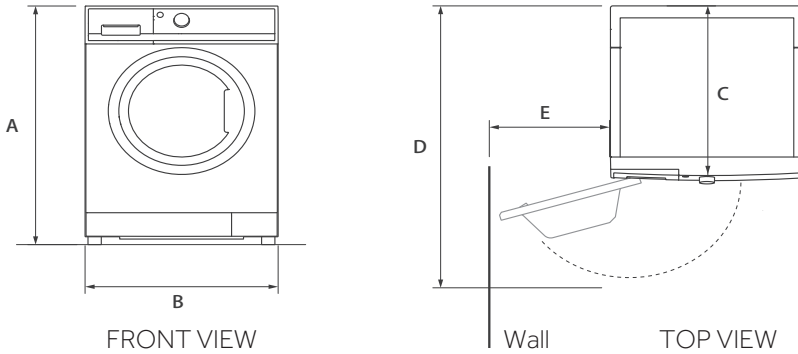
Warm tip:

Noise reduction pad is optional, could help to reduce noise, please assemble it or not according to your own demand.

11.1 Additional technical data

| | HW100-B1239N | HW90-B1239N | HW80-B1239N |
|-----------------------|-----------------|-------------|-------------|
| Voltage in V | 220-240 V~/50Hz | | |
| Current in A | 10 | | |
| Max power in W | 2000 | | |
| Water pressure in MPa | 0.03≤P ≤1 | | |
| Netto weight in kg | 74 | 74 | 72 |

11.2 Product dimensions



| PRODUCT DIMENSIONS | HW100-B1239N | HW90-B1239N | HW80-B1239N |
|---|--------------|-------------|-------------|
| A Overall height of product mm | 850 | 850 | 850 |
| B Overall width of product mm | 595 | 595 | 595 |
| C Overall depth of product (To main control board size) mm | 600 | 600 | 550 |
| D Depth of door open mm | 1100 | 1100 | 1050 |
| E Minimum door clearance to adjacent wall mm | 400 | 400 | 400 |

Note: The exact height of your washer is dependent on how far the feet are extended from the base of the machine. The space where you install your washer needs to be at least 40mm wider and 20mm deeper than its dimensions.

11.3 Standards and Directives **CE**

This product meets the requirements of all applicable EC directives with the corresponding harmonised standards, which provide for CE marking.

We recommend our Haier Customer Service and the use of original spare parts.
If you have a problem with your appliance, please first check section TROUBLESHOOTING.

If you cannot find a solution there, please contact :

- ▶ your local dealer.
- ▶ the Service & Support area at www.haier.com where you can find telephone numbers and FAQs and where you can activate the service claim.

To contact our Service, ensure that you have the following data available.
The information can be found on the rating plate.

Model _____ Serial No. _____

Also check the Warranty Card supplied with the product in case of warranty.

For general business enquiries please find below our addresses in Europe:

| European Haier addresses | | | |
|---------------------------------|---|---|---|
| Country* | Postal address | Country* | Postal address |
| Italy | Haier Europe Trading SRL Via De Cristoforis, 12 21100 Varese ITALY | France | Haier France SAS 3-5 rue des Graviers 92200 Neuilly sur Seine FRANCE |
| Spain Portugal | Haier Iberia SL Pg. Garcia Faria, 49-51 08019 Barcelona SPAIN | Belgium-FR Belgium-NL Netherlands Luxembourg | Haier Benelux SA Anderlecht Route de Lennik 451 BELGIUM |
| Germany Austria | Haier Deutschland GmbH Hewlett-Packard-Str. 4 D-61352 Bad Homburg GERMANY | Poland Czechia Hungary Greece Romania Russia | Haier Poland Sp. zo.o. Al. Jerozolimskie 181B 02-222 Warszawa POLAND |
| United Kingdom | Haier Appliances UK Co.Ltd. One Crown Square Church Street East Woking, Surrey, GU21 6HR UK | | |

*For more information please refer to www.haier.com





Haier



Manual de usuario
Lavadora

HW80-B1239N

HW90-B1239N

HW100-B1239N

Haier

ES

Gracias por comprar un producto Haier.

Lea con atención todas las instrucciones antes de utilizar el aparato. Las instrucciones contienen información importante que le ayudará a aprovechar el aparato al máximo y garantizar una instalación, uso y mantenimiento correctos y seguros.

Conserve el manual en un lugar de fácil acceso para consultarlo en cualquier momento y garantizar el uso seguro y adecuado del aparato.

Si vende el electrodoméstico, lo regala o lo deja cuando se muda de casa, asegúrese también de pasar este manual para que el nuevo propietario pueda familiarizarse con el aparato y las advertencias de seguridad.



Leyenda

Advertencia – Información de seguridad importante



Información general y consejos



Información ambiental



Desecho

Ayude a proteger el medio ambiente y la salud de las personas. Coloque el embalaje en contenedores adecuados para su reciclaje. Ayude a reciclar los desechos de aparatos eléctricos y electrónicos. No tire a la basura normal aquellos aparatos que contengan este símbolo. Lleve el producto a las instalaciones de reciclaje local o comuníquese con su oficina municipal.



¡ADVERTENCIA!

¡Riesgo de lesiones o asfixia!

Desconecte el aparato de la alimentación de red. Corte el cable de corriente y deséchelo. Quite el seguro de la puerta para evitar que los niños y las mascotas queden encerrados en el aparato.

| | |
|-----------------------------------|----|
| 1- Información de seguridad | 4 |
| 2- Descripción del producto | 7 |
| 3- Panel de mandos | 8 |
| 4- Programas | 11 |
| 5- Consumo | 12 |
| 6- Uso diario | 13 |
| 7- Lavado ecológico..... | 18 |
| 8- Cuidado y limpieza..... | 19 |
| 9- Solución de problemas..... | 22 |
| 10- Instalación..... | 26 |
| 11- Datos técnicos..... | 30 |
| 12- Servicio al cliente | 31 |

Lea estas instrucciones de seguridad antes de encender el aparato por primera vez.



ADVERTENCIA!

Antes del primer uso

- ▶ Asegúrese de que el aparato no presente daños ocasionados durante el transporte.
- ▶ Asegúrese de que todos los pernos de transporte sean retirados.
- ▶ Retire todo el embalaje y manténgalo fuera del alcance de los niños.
- ▶ Se necesitan siempre al menos dos personas para mover el aparato ya que es pesado.

Uso diario

- ▶ Los niños a partir de los 8 años, las personas con discapacidades físicas, sensoriales o mentales, así como las personas que carecen de experiencia y conocimientos, podrán utilizar este aparato siempre y cuando se les vigile e instruya sobre su uso en condiciones de seguridad, y que comprendan los peligros que entraña su uso.
- ▶ Mantenga a los niños menores de 3 años alejados del aparato a menos que se encuentren bajo supervisión permanente.
- ▶ Los niños no deben jugar con el aparato.
- ▶ No permita que los niños o las mascotas se acerquen al aparato cuando la puerta está abierta.
- ▶ Almacene los productos de lavado fuera del alcance de los niños.
- ▶ Tire hacia arriba las cremalleras, fije los hilos sueltos y tenga cuidado con los artículos pequeños para evitar que la ropa se enrede. Si es necesario, utilice una bolsa o malla apropiada.
- ▶ No toque ni use el aparato con los pies descalzos o con las manos o los pies mojados o húmedos.
- ▶ No cubra ni encierre el aparato durante el funcionamiento o después de este para permitir que cualquier humedad o agua se evapore.
- ▶ No coloque objetos pesados o fuentes de calor o de humedad en la parte superior del aparato.
- ▶ No utilice ni guarde detergente inflamable o agentes de limpieza en seco, muy cerca del aparato.
- ▶ No utilice aerosoles inflamables en las cercanías del aparato.
- ▶ No lave las prendas tratadas con disolventes en el aparato sin haberlos secado al aire previamente.

**ADVERTENCIA!****Uso diario**

- ▶ No quitar ni poner el enchufe si hay presencia de gases inflamables.
- ▶ No lave con goma espuma caliente o materiales similares a esponjas.
- ▶ No lave prendas que estén contaminadas con harina.
- ▶ No abra el cajón del detergente durante un ciclo de lavado.
- ▶ No toque la puerta durante el proceso de lavado, se calienta.
- ▶ No abra la puerta si el nivel de agua es visible por encima del ojo de buey.
- ▶ No fuerce la puerta para abrirla. La puerta está ajustada con un dispositivo de auto-bloqueo y se abrirá poco después de que se termine el procedimiento de lavado.
- ▶ Apague el aparato después de cada programa de lavado y antes de efectuar cualquier mantenimiento de rutina; desconéctelo de la corriente eléctrica para ahorrar electricidad y por seguridad.
- ▶ Cuando vaya a desenchufar el aparato, coja la clavija y no el cable al tirar.

Mantenimiento y Limpieza

- ▶ Asegúrese de que los niños estén supervisados si realizan tareas de limpieza o mantenimiento.
- ▶ Desconecte el aparato de la corriente antes de realizar cualquier tarea de mantenimiento de rutina.
- ▶ Mantenga la parte inferior del ojo de buey de la puerta y el cajón de detergente abiertos y limpios si el aparato no está en uso para evitar la acumulación de olores.
- ▶ No utilice un rociador de agua o vapor para limpiar el aparato.
- ▶ Cambie el cable de corriente dañado solamente acudiendo al fabricante, su servicio técnico autorizado o a personal cualificado con el fin de evitar situaciones de peligro.
- ▶ No intente reparar el aparato usted mismo. Comuníquese con el centro de atención al cliente si necesita reparación.

Instalación

- ▶ El aparato se debe colocar en un lugar bien ventilado. Asegúrese de colocar el aparato en un lugar que permita abrir la puerta completamente.
- ▶ Nunca instale el aparato en el exterior, en un lugar húmedo, o en un área que pueda ser propensa a fugas de agua, como debajo o cerca de una unidad de fregadero. En el caso de fugas de agua corte el suministro de energía y deje que la máquina se seque naturalmente.



ADVERTENCIA!

Instalación

- ▶ Instale o utilice el aparato únicamente cuando la temperatura esté por encima de 5°C.
- ▶ No coloque el aparato directamente sobre una alfombra, o cerca de una pared o un mueble.
- ▶ No instale el aparato en un lugar donde reciba luz solar de forma directa o cerca de una fuente de calor (por ej., estufas, calentadores).
- ▶ Asegúrese de que la información eléctrica de la placa de especificaciones coincida con el suministro de corriente. En caso contrario, comuníquese con un electricista.
- ▶ No use adaptadores múltiples y cables prolongadores eléctricos.
- ▶ Asegúrese de que solo se utilice el cable eléctrico y el juego de mangueras proporcionados.
- ▶ Asegúrese de no dañar el cable de corriente y el enchufe. Si sufre daños, llame a un electricista para que lo cambie.
- ▶ Utilice un enchufe con toma a tierra separada de fácil acceso para conectar el aparato. El aparato debe tener una conexión a tierra.
- ▶ Asegúrese de que las uniones de mangueras y conexiones sean firmes y no haya fugas.

Uso previsto

Este aparato está diseñado para lavar la ropa lavable a máquina solamente. En cualquier momento, siga las instrucciones dadas en la etiqueta de la prenda. Está diseñada exclusivamente para uso doméstico dentro de la casa. No es adecuado para un uso comercial o industrial.

No puede realizar cambios o modificaciones al aparato. El uso no predeterminado puede causar peligros y la pérdida de todas las reclamaciones de garantía y responsabilidad.

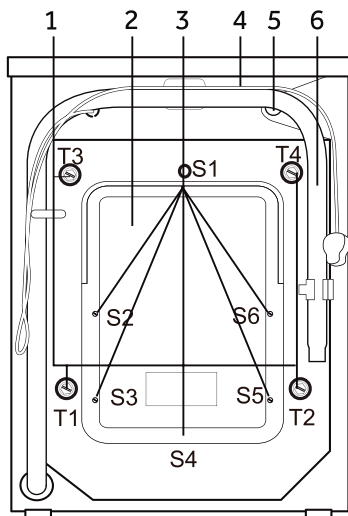
i Nota:

Debido a los cambios técnicos y diferentes modelos, las ilustraciones de los siguientes capítulos pueden diferir de su modelo.

2.1 Imagen del aparato



1. Cajón del detergente/suavizante
2. Selector de programas
3. Encimera
4. Pantalla
5. Placa de especificaciones
6. Tapa de servicio
7. Patas ajustables



1. Pernos de transporte (T1-T4)
2. Cubierta trasera
3. Tornillos de la cubierta trasera (S1-S6)
4. Cable de corriente
5. Válvula de entrada de agua
6. Manguera de desagüe

2.2 Accesorios

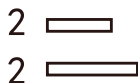
Compruebe los accesorios y su documentación de acuerdo con esta lista (Il.: 2-3).



Ensamblaje de la manguera de entrada¹⁾



5 Tapones obturadores



España



Soporte de la manguera de desagüe



Tarjeta de garantía



Manual de usuario

2-3



1 "Botón de encendido/apagado (On/Off) button

2 Selector de programas

3 Pantalla

4 Cajón del detergente/ suavizante

5 Botones de función

6 Botón de "Fin Diferido"

7 "Botón de Inicio/Pausa"

Nota: Señal sonora

Se escuchará una señal sonora en los siguientes casos:

- ▶ al pulsar un botón
- ▶ al girar el selector de programas
- ▶ al final del programa
- ▶ en caso de mal funcionamiento

La señal acústica se puede deseleccionar si es necesario; véase USO DIARIO.



3.1 Botón "On/Off" (encendido y apagado)

Pulse este botón (Il. 3-1) suavemente para encender el aparato; la pantalla y los LED en el botón se iluminarán. Toque de nuevo durante unos 2 segundos para apagar. Si ningún elemento del panel o programa se activa después de un tiempo la máquina se apagará automáticamente.



3.2 Selector de programa

Girando el mando (Il. 3-2) se puede seleccionar uno de los 16 programas, se encenderá el LED correspondiente y se mostrarán sus ajustes por defecto.



3.3 Pantalla

La pantalla (Il. 3-3) mostrará la información siguiente:


- ▶ Tiempo de lavado
- ▶ Símbolo de hora de Fin Diferido
- ▶ Códigos de error e información de servicio

3.4 Dispensador de detergente

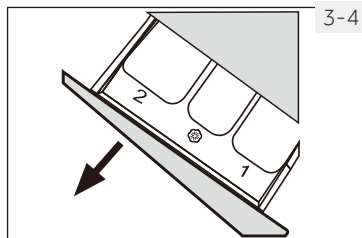
Abra el cajón, podrá ver tres compartimentos (Il. 3-4):

Compartimento 1 : Sólo entrada de agua, sin detergente

Compartimento 2 : Detergente para el programa

Compartimento  : Suavizante o acondicionador, etc.

La recomendación del tipo de detergente adecuado para las distintas temperaturas de lavado, consulte el manual del detergente.



3-4

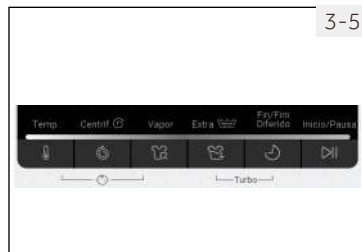
3.5 Botones de función

Los botones de función (Il. 3-5) permiten opciones adicionales en el programa seleccionado antes del comienzo del programa. Se muestran los indicadores relacionados.

Al apagar el aparato o crear un nuevo programa, todas las opciones son deshabilitadas.

Si un botón tiene múltiples opciones, la opción deseada se puede seleccionar pulsando el botón secuencialmente.

Para eliminar la configuración o para cancelar el proceso de ajuste, pulse el botón de función hasta que el LED deseado se ilumine, o en caso de una sola opción el LED se apague.



3-5



Nota: Ajustes de fábrica

Para obtener mejores resultados en cada programa, Haier ha definido bien los ajustes predeterminados específicos. Si no hay ningún requisito especial, se recomienda usar los ajustes predeterminados.

3.5.1-Botón de función "Temp."

Pulse este botón (Il. 3-5-1) para cambiar la temperatura de lavado del programa. Si no se enciende ningún valor, el agua no se calentará.

Junto con el botón de "Vapor", la función de bloqueo de niño puede ser encendido / apagado (ver bloqueo para niños).

3.5.2-Botón de función "Centrif.

Pulse este botón (Il. 3-5-2) para cambiar o cancelar la selección del programa de centrifugado. Si no se ilumina ningún valor, las prendas no girarán.

3.5.3-Botón de función "Vapor"

Pulse este botón (Il. 3-5-3) para activar la función de vapor.

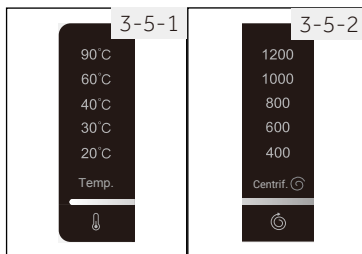
Cuando se activa esta función, la temperatura por defecto es la temperatura máxima del programa seleccionado.

Esta función puede activarse solamente con los siguientes programas:

Higiénico, Baby Care, Mix, Sintético, Algodón.

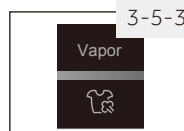
Cuando se activa el led sobre el botón se iluminará.

Al presionar nuevamente este botón, la función se puede desactivar y el led que está sobre el botón se apagará.



3-5-1

3-5-2



3-5-3

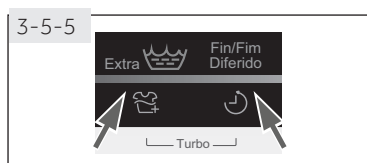
Cuando se activa la función no puede cambiar la temperatura del programa. Si se pulsa el botón "Temperatura" se desactivará la función de "Vapor". Usted puede activar la función de "Vapor" solamente antes de iniciar cualquier programa. No se puede activar la función "Vapor" cuando el aparato ya está ejecutando un programa.




3.5.4 Botón de función "Extra"

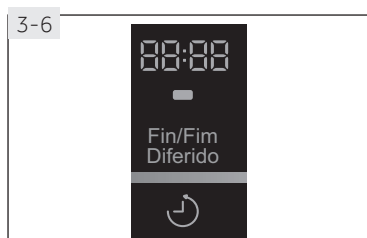
Pulse este botón (Il. 3-5-4) para enjuagar la ropa más intensamente con agua fresca. Esto se recomienda para las personas con piel sensible.

Al pulsar el botón varias veces se pueden seleccionar de uno a tres ciclos adicionales. Aparecen en la pantalla con P-- 1/P-- 2/P-- 3.



3.5.5 Función "Turbo"

Esta función ahorra tiempo y energía. Preferible si es para ropa poco sucia. Pulse a la vez los botones "Extra"  y "Fin Diferido" (Il. 3-5-5) durante unos 3 segundos para activar la función "Acelerar"; se muestra **SPEED UP**. Esta función no está disponible en todos los programas (ver PROGRAMAS).

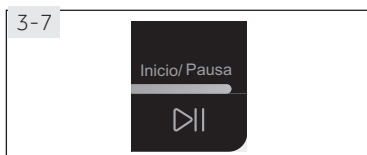


3.6 Botón "Fin Diferido"

Pulse este botón (Il. 3-6) para iniciar el programa temporizado. El tiempo de fin diferido se puede aumentar en incrementos de 30 minutos de 0,5-24h. Por ejemplo, la pantalla «apagado 6:30» significa que el programa finalizará en 6 horas y 30 minutos. Pulse el botón Inicio / Pausa para activar el fin diferido. No es aplicable al programa de Centrifugado.

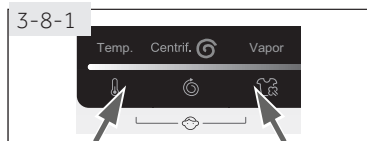
Nota: Detergente líquido

Si se utiliza detergente líquido, no se recomienda activar el retardo de tiempo de fin.



3.7 Botón "Inicio/Pausa"

Pulse este botón (Il. 3-7) suavemente para iniciar o interrumpir el programa que se muestra actualmente. Durante el ajuste del programa y durante el funcionamiento del programa, el LED por encima del botón está brillando, o si se interrumpe el parpadeo.



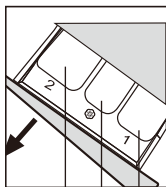
3.8 Bloqueo infantil

Pulse a la vez los botones "Temperatura" Y "Vapor" (Il. 3-8-1) durante 3 segundos para bloquear todos los elementos del panel contra la activación. Para desbloquear, pulse nuevamente los dos botones.



La pantalla muestra **CLrd** (Il. 3-8-2) si se pulsa un botón, cuando se activa el bloqueo infantil. El cambio no se está ejecutando.

○ Opcional, / No



Compartimento de detergente para:

- 1 Sólo entrada de agua, sin detergente
- 2 Detergente
- 3 Suavizante o producto similar.

| Programa | Carga máx. en kg ¹⁾ | | | Temperatura en °C ²⁾ | rango seleccionable | Prestablecido | 2 | 3 | 1 | Tipo de tejido | Velocidad de centrifugado prefijada en rpm | Función | | |
|------------------------------|--------------------------------|-------------|--------------|---------------------------------|---------------------|---------------|---|---|---|----------------|--|---------|-------|-------|
| | HW80-B1239N | HW90-B1239N | HW100-B1239N | | | | | | | | | Vapor | Extra | Turbo |
| Algodón | 8,0 | 9,0 | 10,0 | * a 90 ³⁾ | 40 | ○ | ○ | / | Algodón | 1200 | ○ | ○ | ○ | |
| Sintético | 4,0 | 4,5 | 5,0 | * a 60 | 40 | ○ | ○ | / | Telas sintéticas o mixtas | 1200 | ○ | ○ | ○ | |
| Mix | 8,0 | 9,0 | 10,0 | * a 60 | 30 | ○ | ○ | / | Prendas mixtas de algodón y sintéticas ligeramente sucias | 1000 | ○ | ○ | ○ | |
| Baby Care | 4,0 | 4,5 | 5,0 | * a 90 ³⁾ | 40 | ○ | ○ | / | Algodón / Sintéticos | 1000 | ○ | ○ | ○ | |
| Higiénico | 4,0 | 4,5 | 5,0 | 90 | 90 | ○ | ○ | / | Algodón | 1000 | ○ | ○ | / | |
| Lingerie | 4,0 | 4,5 | 5,0 | * a 60 | 40 | ○ | ○ | / | Ropa interior | 1000 | / | ○ | ○ | |
| Algodón 20°C | 8,0 | 9,0 | 10,0 | 20 | 20 | ○ | ○ | / | Algodón | 1200 | / | ○ | ○ | |
| Eco 40-60 | 8,0 | 9,0 | 10,0 | / | / | ○ | ○ | / | Algodón | / | / | / | / | |
| Rápido ⁴⁾ | 4,0 | 4,5 | 5,0 | * a 40 | 40 | ○ | ○ | / | Prendas de algodón o sintéticas ligeramente sucias | 1000 | / | ○ | / | |
| Express 15 min ⁴⁾ | 2,0 | 2,25 | 2,5 | * a 40 | * | ○ | ○ | / | Algodón / Sintético | 1000 | / | ○ | / | |
| Sport | 4,0 | 4,5 | 5,0 | * a 40 | 20 | ○ | ○ | / | Ropa deportiva | 800 | / | ○ | / | |
| Lana | 2,0 | 2,25 | 2,5 | * a 40 | * | ○ | ○ | / | Tejido de lana o que incluya un porcentaje de lana | 800 | / | ○ | / | |
| Delicado | 2,0 | 2,25 | 2,5 | * a 30 | 30 | ○ | ○ | / | Prendas delicadas y seda | 400 | / | ○ | / | |
| Jeans | 4,0 | 4,5 | 5,0 | * a 60 | 30 | ○ | ○ | / | Vaqueros | 1000 | / | ○ | ○ | |
| Edredón | 2,0 | 2,25 | 2,5 | * a 40 | 40 | ○ | / | / | Algodón | 800 | / | ○ | ○ | |
| Centrif. ⁵⁾ | 8,0 | 9,0 | 10,0 | / | / | / | / | / | todos los tejidos | 1000 | / | / | / | |

¹⁾En relación con la ropa.

²⁾*: El agua no se calienta (no se ilumina ningún valor).

³⁾ Elija una temperatura de lavado de 90°C solo para requisitos higiénicos especiales.

⁴⁾ Reduzca la cantidad de detergente debido a que la duración del programa es corta.

Escanee el código QR en la etiqueta energética para obtener información sobre el consumo de energía.

El consumo de energía real puede diferir del declarado según las condiciones particulares a nivel local.

Programa UE1015 / 2010

Seleccione Eco 40-60, presione "Velocidad" 10s, luego ajuste a 60 ° C / 40 ° C con máxima velocidad de centrifugado.

Los programas de algodón estándar de 60 ° C y 40 ° C son adecuados para limpiar suciedad normal en ropa de algodón. Son los programas más eficientes en términos de consumo combinado de agua y energía para ropa de algodón. La temperatura real del agua puede diferir de la temperatura de ciclo declarada.



Nota: Detección automática de carga

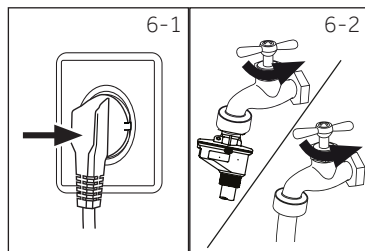
El aparato está equipado con un sistema de reconocimiento de carga. Con baja carga, la energía, el agua y el tiempo de lavado se reducirán automáticamente en algunos programas (Algodón, Sintético, Mix, Baby Care, Algodón 20°C, Eco 40-60). La pantalla muestra **ALTO**.

6.1 Corriente eléctrica

Conecte la lavadora a una fuente de alimentación (220V a 240V~/50Hz; Il. 6-1). Por favor, consulte también la sección INSTALACIÓN.

6.2 Conexión de agua

- ▶ Antes de conectar revise la limpieza y la claridad del agua que sale de la llave de agua.
- ▶ Abra la llave del agua (Il.6-2).

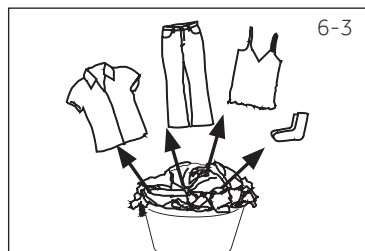


i Nota: Apriete

Antes usar revise si hay fugas en las juntas entre la llave y el tubo de carga girando la llave.

6.3 Preparación de las prendas

- ▶ Clasifique la ropa por su tejido (algodón, sintéticos, lana o seda) y el grado de suciedad (Il. 6-3). Preste atención a las etiquetas de lavado.
- ▶ Separe las prendas blancas de las de color. Lave las telas de colores primero a mano para comprobar si se desvanece o corre el color.
- ▶ Vacíe los bolsillos (de llaves, monedas, etc.) y quite los objetos decorativos duros (por ejemplo, broches).
- ▶ Las prendas sin costuras, delicadas y textiles de tejido fino, tales como cortinas finas se deben a poner en una bolsa de lavado para cuidarlas (lavar a mano o limpieza en seco sería mejor).
- ▶ Cierre las cremalleras y ganchos, asegúrese de que los botones estén cosidos firmemente.
- ▶ Coloque las prendas delicadas como la ropa sin dobladillo firme, ropa interior (lencería) y objetos pequeños, tales como calcetines, cinturones, sujetadores, etc., en una bolsa para lavado.
- ▶ Desdoble las telas grandes como sábanas, colchas etc.
- ▶ Voltee los pantalones tejanos e impresos, decorados o textiles de color intenso de adentro hacia afuera, de ser posible lávelos por separado.



PRECAUCIÓN:

Prendas no textiles, así como artículos pequeños, sueltos o con puntas filosas pueden causar fallos de funcionamiento y daños en la ropa y el aparato.

Tabla de cuidados

| Lavado | | |
|--|---|--|
|  Lavable hasta 95 °C proceso normal |  Lavable hasta 60°C proceso normal |  Lavable hasta 60°C proceso suave |
|  Lavable hasta 40°C proceso normal |  Lavable hasta 40°C proceso suave |  Lavable hasta 40°C proceso muy suave |
|  Lavable hasta 30°C proceso normal |  Lavable hasta 30°C proceso suave |  Lavable hasta 30°C proceso muy suave |
|  Lavar a mano máx. 40°C |  No lavar | |
| Blanqueamiento | | |
|  Cualquier blanqueador permitido |  Solo oxígeno/ sin cloro |  No usar blanqueador |
| Secado | | |
|  Secado a máquina posible temperatura normal |  Secado a máquina posible temperatura baja |  No secar a máquina |
|  Secar colgado |  Secar sobre superfi- cie plana | |
| Planchado | | |
|  Planchar a una tem- peratura máxima de hasta 200 °C |  Planchar a una tem- peratura media de hasta 150°C |  Planchar a una temperatura baja de hasta 110 °C, sin vapor (planchar con vapor puede causar- daños irreversibles) |
|  No planchar | | |
| Cuidados profesionales para tejidos | | |
|  Limpieza en seco con tetracloroetano (PCE) |  Limpieza en seco con hidrocarburos |  No lavar en seco |
|  Limpieza profesional en mojado |  No se aplique lim- pieza profesional en mojado | |

6.4 Cargar el aparato

- ▶ Ponga dentro la ropa sucia pieza por pieza
- ▶ No sobrecargar. ¡Tenga en cuenta la diferente carga máxima de acuerdo a los programas! La regla de oro para la carga máxima: Mantenga seis pulgadas de distancia entre la carga y la parte superior del tambor.
- ▶ Cierre la puerta con cuidado. Asegúrese de que no haya prendas atrapadas bajo la puerta.

6.5 Selección del detergente

- ▶ La eficacia del lavado y el rendimiento están determinados por la calidad del detergente usado.
- ▶ Solo use detergentes aprobados para lavar a máquina.
- ▶ Si necesita utilizar detergentes específicos, por ej., para sintéticos y lana.
- ▶ Siempre siga las recomendaciones del fabricante del detergente.
- ▶ No utilice agentes de limpieza en seco tales como tricloroetileno y productos similares.

Elija el mejor detergente

| Programa | Tipo de detergente | | | | | |
|------------------------------|--------------------|-----------------------|----------|----------|------------|--|
| | Universal | Para prendas de color | Delicado | Especial | Suavizante | |
| Algodón | L/P | L/P | - | - | o | |
| Sintético | - | - | L/P | - | o | |
| Mix | L/P | L/P | - | - | o | |
| Baby Care | L/P | L/P | - | - | o | |
| Higiénico | L/P | L/P | L | - | o | |
| Lingerie | L/P | L/P | - | - | o | |
| Algodón 20°C | L/P | L/P | - | - | o | |
| Eco 40-60 | L/P | L/P | - | - | o | |
| Rápido ⁴⁾ | L/P | L/P | - | - | o | |
| Express 15 min ⁴⁾ | L | L | - | - | o | |
| Sport | - | - | - | L | o | |
| Lana | - | - | L/P | L/P | o | |
| Delicado | - | - | - | L/P | o | |
| Jeans | L/P | L/P | L | - | o | |
| Edredón | - | - | L | L/P | - | |

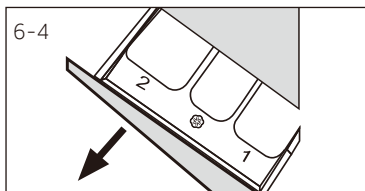
L = detergente en gel-/líquido P = detergente en polvo O = opcional - = no
Si se utiliza detergente líquido, no se recomienda activar el tiempo de fin diferido.

Recomendamos el uso de:

- ▶ Detergente en polvo para coladas: 20°C a 90°C* (mejor uso: 40-60°C)
- ▶ Detergente para ropa de color: 20°C a 60°C (mejor uso: 30-60°C)
- ▶ Detergente para lana/Delicado: 20°C a 30°C (=mejor uso:)

* Elija la temperatura de lavado de 90°C solo para los requisitos especiales de higiene.

* Es mejor usar menos detergente en polvo o no utilizar detergente en absoluto.



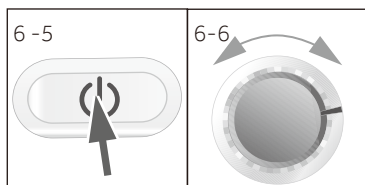
6.6 Añada el detergente

1. Deslice el cajón para detergente.
2. Coloque los productos químicos necesarios en los compartimentos correspondientes (Il. 6-4)
3. Empuje de vuelta el cajón con gentileza.



Nota:

- ▶ Elimine los residuos de detergente antes del próximo ciclo de lavado del cajón del detergente.
- ▶ No use demasiado detergente o suavizante.
- ▶ Por favor, siga las instrucciones en el paquete del detergente.
- ▶ Siempre llene el compartimento del detergente justo antes del comienzo del ciclo de lavado.
- ▶ El detergente líquido concentrado debe diluirse antes de ser añadido en el compartimento 2.
- ▶ El mejor uso de detergente líquido es mediante el uso de una bola de dosificación, que se coloca con la ropa en la lavadora.
- ▶ No utilice detergente líquido si selecciona "retardo de tiempo de fin".
- ▶ Elija cuidadosamente la configuración del programa de acuerdo con los símbolos de atención en todas las etiquetas de lavado y de acuerdo a la tabla de programas.



6.7 Encienda el aparato

Pulse el botón de encendido para encender el aparato (Il. 6-5).

6.8 Seleccione un programa

Para obtener los mejores resultados de lavado, seleccione un programa que se ajuste al grado de suciedad y tipo de prendas.

Gire el selector de programas (Il. 6-6) para seleccionar el programa adecuado. El programa relacionado enciende el LED y se muestran los ajustes predeterminados.



Nota: Eliminar olor

Antes del primer uso se recomienda ejecutar programa HIGIÉNICO sin carga y con una pequeña cantidad de detergente en el compartimento del detergente (2) o un limpiador de máquinas especial para eliminar olores y posibles residuos de fábrica.



6.9 Seleccionar opciones de lavado

Seleccione las opciones y ajustes (Il. 6-7); consulte el PANEL DE CONTROL.

6.10 Inicie el programa de lavado

Pulse el botón Inicio / Pausa (Il. 6-8) para iniciar. El LED del botón "Inicio / Pausa" deja de parpadear y se ilumina continuamente. El aparato funciona de acuerdo a los ajustes recientes. Los cambios solo son posibles mediante la cancelación del programa.



6.11 Interrumpir-cancelar el programa de lavado

Para interrumpir un programa en ejecución, pulse suavemente "Iniciar / Pausa". El LED del botón de arriba parpadeará. Pulse de nuevo para reanudar la marcha.

Para cancelar un programa en ejecución y todos sus ajustes individuales:

1. Pulse el botón "Inicio/Pausa" para interrumpir el programa en curso.
2. Pulse el botón "On/Off" (Encender/Apagar) durante dos segundos para apagar el aparato.
3. Ejecute el programa Centrifugado y seleccione "sin Vel. Centrifugado" (todas las luces se apagan) para drenar el agua.
4. Seleccione un nuevo programa e inícielo.



Nota: Bloqueo de la puerta

- ▶ Por razones de seguridad la puerta de carga se bloquea parcialmente durante los ciclos de lavado. Solo es posible abrir la puerta al final del programa o después de que el programa se canceló correctamente (véase la descripción anterior).
- ▶ En caso de nivel alto de agua, alta temperatura del agua y en el centrifugado no será posible abrir la puerta; SE MUESTRA **LoC!**

6.12 Después de lavar

1. Al final del programa se visualiza **End**.
2. El aparato se apagará automáticamente.
3. Saque la ropa tan pronto como sea posible para que esté suave y para evitar la formación de arrugas.
4. Cierre el suministro de agua.
5. Desconecte el cable de corriente.
6. Abra las puertas para evitar la formación de humedad y olores. Déjalas abiertas mientras no se usa la lavadora.





Nota: El modo de espera / ahorro de energía

El aparato encendido pasará al modo de espera si no se activará dentro de 2 minutos antes de iniciar el programa o al final del programa. La pantalla se apagará. Esto ahorra energía. Para interrumpir el modo de espera pulse el botón "Inicio / Pausa".

6.13 Activar o desactivar el timbre

La señal sonora se puede desactivar si es necesario:

1. Encienda el aparato.
2. Seleccione el programa Centrif. 
3. Pulse el botón "Vapor" y "Extra"  al mismo tiempo durante unos tres segundos. Se mostrará "bEEP OFF" y se desactivará el timbre.

Para activar el timbre pulse estos dos botones al mismo tiempo de nuevo. Se mostrará "bEEP On".



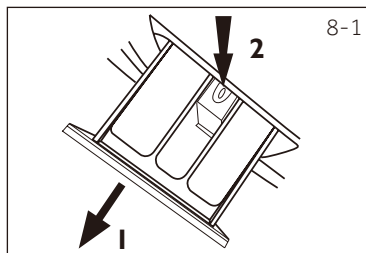
Uso medioambiental responsable

- ▶ Para lograr el mejor uso de la energía, el agua, detergente y el tiempo que debe utilizar el tamaño de la carga máxima recomendada.
- ▶ No sobrecargue (debe caber su mano holgadamente sobre la ropa).
- ▶ Para ropa ligeramente sucia seleccione el programa de lavado rápido.
- ▶ Aplique las dosis exactas de detergente.
- ▶ Elija la temperatura de lavado adecuada más baja, los detergentes modernos son eficientes para limpiar por debajo de 60°C.
- ▶ Eleve la configuración predeterminada solo en casos de prendas muy manchadas.
- ▶ Seleccione la velocidad máx. de centrifugado si usa una secadora doméstica.

8.1 Limpieza del cajón para detergente

Cuide siempre que no haya residuos de detergente. Limpie periódicamente el cajón (Il. 8-1):

1. Tire del depósito hasta que se detenga.
2. Presione el botón de liberación y retire el cajón.
3. Enjuague el depósito con agua hasta que esté limpio e inserte el cajón de nuevo en el aparato.



8.2 Limpieza de la máquina

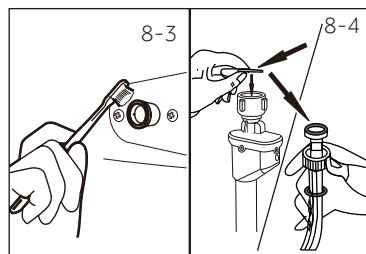
- ▶ Desenchufe la máquina durante la limpieza y mantenimiento.
- ▶ Use un paño suave con jabón líquido para limpiar los componentes de la caja de la máquina y de goma (Il. 8-2).
- ▶ No utilice productos químicos ni disolventes orgánicos corrosivos.



8.3 La válvula de entrada de agua y el filtro de la válvula de entrada

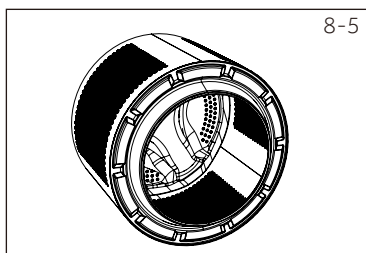
Para evitar el bloqueo del suministro de agua por sustancias sólidas como la cal, limpie periódicamente los filtros de la válvula de entrada.

- ▶ Desconecte el cable de corriente y cierre el suministro de agua.
- ▶ Desenrosque la manguera de entrada de agua en la parte posterior (Il 8-3) del aparato, así como en el grifo.
- ▶ Enjuague los filtros con agua y un cepillo (Il. 8-4).
- ▶ Coloque el filtro e instale la manguera.



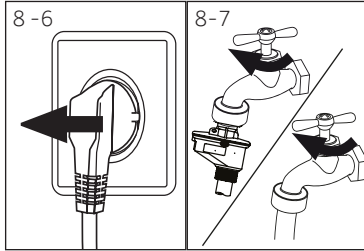
8.4 Limpieza del tambor

- ▶ Retire las piezas metálicas lavadas accidentalmente, como alfileres, monedas, etc., del tambor (Il. 8-5), ya que causan manchas de óxido y daños.
- ▶ Use un limpiador sin cloro para la eliminación de manchas de óxido. Tenga en cuenta las sugerencias de advertencia del fabricante del producto de limpieza.
- ▶ No utilice objetos duros ni lana de acero para la limpieza.



Nota: HIGIÉNICO

Para un mantenimiento regular recomendamos ejecutar el programa HIGIÉNICO trimestralmente y sin carga para eliminar posibles residuos y olores. Es mejor utilizar una pequeña cantidad de limpiador especial de la máquina en el compartimento del detergente (2).



8.5 Largos períodos de inactividad

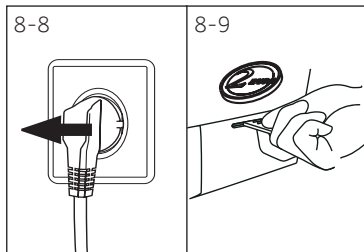
Si el aparato permanece inactivo durante un período más largo:

1. Desconecte el enchufe eléctrico (Imagen 8-6).
2. Desconecte el enchufe eléctrico (Il. 8-7).
3. Abra las puertas para evitar la formación de humedad y olores. Deje las puertas abiertas mientras no se usa la lavadora.

Antes del próximo uso verifique cuidadosamente el cable de alimentación, la entrada de agua y la manguera de desagüe. Asegúrese de que todo esté correctamente instalado y sin fugas.

i Nota: Higiénico

Después de largos períodos de inactividad se recomienda ejecutar el programa HIGIÉNICO sin carga y una pequeña cantidad de detergente en el compartimento del agente de lavado (2) o un producto de limpieza especial para máquinas, con el fin de eliminar los posibles residuos.



8.6 Filtro de la bomba

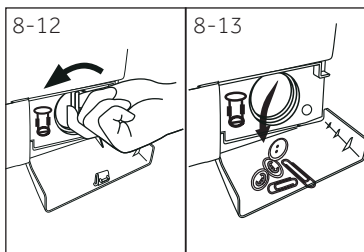
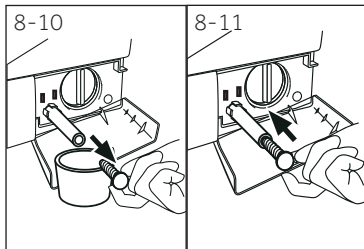
Limpie el filtro una vez al mes y revise el filtro de la bomba, por ejemplo, si el aparato:

- ▶ no desagua.
- ▶ no centrifuga.
- ▶ hace un ruido inusual durante la ejecución.



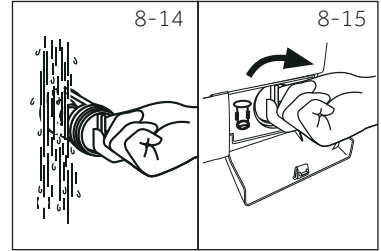
¡ADVERTENCIA!

¡Riesgo de quemaduras! ¡El agua en el filtro de la bomba puede estar muy caliente! Antes de cualquier acción asegúrese de que el agua se haya enfriado.



1. Apague y desenchufe la máquina (Il. 8-8).
2. Abra la tapa de servicio. Puede utilizar una moneda o un destornillador (Il. 8-9).
3. Proporcione un recipiente plano para recoger el agua de lixiviación (Il. 8-10). ¡Podría haber cantidades más grandes!
4. Tire de la manguera de desagüe y mantenga su extremo sobre el recipiente (Il. 8-10).
5. Saque el tapón de cierre de la manguera de desagüe (Il. 8-10).
6. Después del desagüe completo cierre la manguera de drenado (Il. 8-11) y empuje de nuevo en la máquina.
7. Desenrosque y quite el filtro de la bomba en sentido antihorario (Il. 8-12).
8. Eliminar contaminantes y la suciedad (Il. 8-13).

9. Limpie cuidadosamente el filtro de la bomba, por ej., con agua corriente (Il. 8-14).
10. Refíjelo a fondo (Il. 8-15).
11. Cierre la tapa de servicio.



PRECAUCIÓN:

- ▶ El sellado del filtro de la bomba tiene que estar limpio y e ileso. Si la tapa no está completamente apretada, el agua podría escapar.
- ▶ El filtro debe estar en su lugar, o puede dar lugar a fugas.

Puede solucionar muchos problemas usted mismo sin necesidad de conocimientos específicos. Si se presenta un problema, compruebe todas las posibilidades señaladas y siga las indicaciones que figuran a continuación antes de comunicarse con el servicio postventa. Ver sección ATENCIÓN AL CLIENTE.



¡ADVERTENCIA!

- ▶ Antes de realizar cualquier tarea de mantenimiento, apague el aparato y desconecte el cable de corriente.
- ▶ El equipo eléctrico debe ser reparado solamente por expertos eléctricos calificados, porque las reparaciones incorrectas pueden causar daños consecuentes considerables.
- ▶ Un cable de corriente dañado solo debe ser reemplazado por el fabricante, su agente de servicio o por el personal cualificado con el fin de evitar situaciones de peligro.

9.1 Códigos de información

Los siguientes códigos se muestran solo para la información relativa al ciclo de lavado. No se precisa realizar mediciones.

| Código | Mensaje |
|------------------|--|
| 1:25 | El tiempo de ciclo de lavado restante será de 1 hora y 25 minutos. |
| 6:30 | El tiempo de ciclo de lavado incluyendo el tiempo de fin diferido restante será de 6 horas y 30 minutos. |
| P-- 1/2/3 | 1/2/3 se seleccionan los aclarados adicionales (vea BOTONES DE FUNCIÓN "Aclarado extra"). |
| End | El ciclo de lavado ha terminado. El aparato se apagará automáticamente.. |
| CLrd | El bloqueo para niños está activado. |
| Loc 1- | La puerta está cerrada debido al nivel de agua de alto, alta temperatura del agua o ciclo de centrifugado. |
| bEEP OFF | El timbre está desactivado |
| bEEP On | El timbre está activado |
| SPEED UP | La función "Turbo" está activada |

9.2 Solución de problemas con el código mostrado

| Problema | Causa | Solución |
|-----------------|---|--|
| CLr FLtr | <ul style="list-style-type: none"> • Error de desagüe, el agua no se drena por completo dentro de 6 minutos | <ul style="list-style-type: none"> • Limpie el filtro de la bomba. • Compruebe la instalación de la manguera de desagüe. |
| E2 | <ul style="list-style-type: none"> • Error de bloqueo. | <ul style="list-style-type: none"> • Cierre la puerta apropiadamente. |
| E4 | <ul style="list-style-type: none"> • El nivel de agua no alcanza después de 8 minutos. • La manguera de drenado hace sifón. | <ul style="list-style-type: none"> • Asegúrese de que del grifo esté completamente abierto y la presión del agua sea normal. • Compruebe la instalación de la manguera de desagüe. |
| EB | <ul style="list-style-type: none"> • Error del nivel de protección del agua. | <ul style="list-style-type: none"> • Póngase en contacto con el Servicio Post-venta.. |

| Problema | Causa | Solución |
|---|--|---|
| <i>F3</i> | <ul style="list-style-type: none"> • Error del sensor de temperatura. | <ul style="list-style-type: none"> • Póngase en contacto con el Servicio Post-venta. |
| <i>F4</i> | <ul style="list-style-type: none"> • Error de calefacción. | <ul style="list-style-type: none"> • Póngase en contacto con el Servicio Post-venta. |
| <i>F7</i> | <ul style="list-style-type: none"> • Error del motor. | <ul style="list-style-type: none"> • Póngase en contacto con el Servicio Post-venta. |
| <i>FA</i> | <ul style="list-style-type: none"> • Error del sensor de nivel de agua. | <ul style="list-style-type: none"> • Póngase en contacto con el Servicio Post-venta. |
| <i>FE1</i> o <i>FED</i> o <i>FE2</i> | <ul style="list-style-type: none"> • Error de comunicación anormal | <ul style="list-style-type: none"> • Póngase en contacto con el Servicio Post-venta. |
| <i>Unb</i> | <ul style="list-style-type: none"> • Error de carga desbalanceada. | <ul style="list-style-type: none"> • Compruebe y balancee la carga de ropa en el tambor. |

9.3 Solución de problemas sincódigo mostrado

| Problema | Causa | Solución |
|--|---|---|
| La lavadora no funciona. | <ul style="list-style-type: none"> • El programa todavía no se ha iniciado. • La puerta no está bien cerrada. • La máquina no se ha encendido. • Corte eléctrico. • El bloqueo infantil está activado | <ul style="list-style-type: none"> • Revise el programa y póngalo en marcha. • Cierre la puerta bien. • Encienda la máquina. • Revise el suministro eléctrico. • Desactive el bloqueo infantil. |
| La lavadora no se ha llenado de agua. | <ul style="list-style-type: none"> • No hay agua. • La manguera de entrada está retorcida. • El filtro de carga está bloqueado. • La presión del agua es de menos de 0.03 MPa. • La puerta no está bien cerrada. • Falla de suministro de agua. | <ul style="list-style-type: none"> • Revise la llave de agua. • Revise la manguera de entrada de agua. • Desbloquee el filtro de la manguera de entrada. • Revise la presión del agua. • Cierre la puerta bien. • Asegúrese de que haya suministro de agua. |
| La máquina está drenando al mismo tiempo que se llena. | <ul style="list-style-type: none"> • La altura del tubo de descarga está por debajo de 80 cm. • El extremo de la manguera de desagüe podría caer en el agua. | <ul style="list-style-type: none"> • Asegúrese de que la manguera de desagüe esté instalada correctamente. • Asegúrese de que el tubo de descarga no esté en el agua. |
| Insuficiencia de desagüe. | <ul style="list-style-type: none"> • La manguera de drenado está bloqueada. • El filtro de la bomba está bloqueado. • El extremo de la manguera de desagüe es mayor de 100 cm por encima del nivel del suelo. | <ul style="list-style-type: none"> • Desbloquee la manguera de desagüe. • Limpie el filtro de la bomba. • Asegúrese de que la manguera de desagüe esté instalada correctamente. |

| Problema | Causa | Solución |
|--|--|---|
| Vibración fuerte, durante el centrifugado | <ul style="list-style-type: none"> No se han quitado todos los pernos de transporte. El aparato no tiene una posición sólida. La carga de la máquina no es correcta. | <ul style="list-style-type: none"> Retire todos los pernos de transporte. Asegúrese de que tenga una base sólida y una posición nivelada. Revise el peso de la carga y el equilibrio. |
| La operación se detiene antes de completar el ciclo de lavado. | <ul style="list-style-type: none"> Avería de agua o eléctrica. | <ul style="list-style-type: none"> Revise el suministro eléctrico y de agua. |
| La operación se detiene durante un período de tiempo. | <ul style="list-style-type: none"> El aparato muestra un código de error. Problema debido al patrón de carga. El programa lleva a cabo el ciclo de remojo. | <ul style="list-style-type: none"> Considere los códigos mostrados. Reduzca o ajuste la carga. Cancele el programa y reinicie. |
| El exceso de espuma flota en el tambor y/o en el cajón del detergente. | <ul style="list-style-type: none"> El detergente no es adecuado. Uso excesivo de detergente. | <ul style="list-style-type: none"> Consulte las recomendaciones del detergente. Reduzca la cantidad de detergente. |
| Ajuste automático del tiempo de lavado. | <ul style="list-style-type: none"> La duración del programa de lavado se ajustará. | <ul style="list-style-type: none"> Esto es normal y no afecta a la funcionalidad. |
| Falla de centrifugado. | <ul style="list-style-type: none"> Desequilibrio de la carga. | <ul style="list-style-type: none"> Revise y reparta la carga de la máquina y las prendas y ejecute un programa de centrifugado de nuevo. |
| Resultado de lavado insatisfactorio. | <ul style="list-style-type: none"> El grado de contaminación no está de acuerdo con el programa seleccionado. La cantidad de detergente no fue suficiente. Se ha superado la carga máxima. Las prendas se distribuyeron de manera desigual en el tambor. | <ul style="list-style-type: none"> Seleccione otro programa. Elija el acc. del detergente de acuerdo al grado de contaminación y acc. las especificaciones del fabricante. Reduzca la carga. Reparta la ropa a lavar. |
| Hay residuos de detergente en polvo en las prendas. | <ul style="list-style-type: none"> Partículas insolubles de detergente pueden permanecer como manchas blancas en la ropa. | <ul style="list-style-type: none"> Realice un aclarado adicional. Trate de cepillar los puntos en la ropa seca. Use otro detergente. |
| Las prendas salen con manchas grises. | <ul style="list-style-type: none"> Esto es causado por las grasas tales como aceites, cremas o ungüentos | <ul style="list-style-type: none"> Trate previamente la ropa con un limpiador especial. |



Nota: Información de espuma

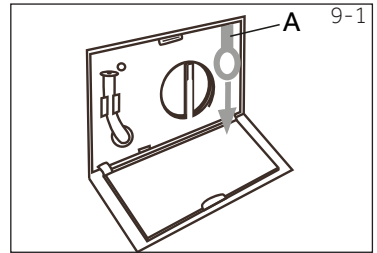
Si se detecta demasiada espuma durante el ciclo de centrifugado, el motor se detendrá y la bomba de desagüe se activará durante 90 segundos. Si esa eliminación de espuma falla hasta 3 veces, el programa terminará sin girar.

En caso de que los mensajes de error aparezcan incluso después de las medidas adoptadas, apague el aparato, desconecte la fuente de alimentación y póngase en contacto con el servicio al cliente.

9.4 En caso de un corte eléctrico

Se guardará el programa actual y su configuración. Cuando se restaure la electricidad se reanudará la operación.

En caso de fallo de alimentación durante el funcionamiento del programa, la puerta se bloquea mecánicamente. Si va a sacar la ropa, el nivel del agua no debe ser visible en la puerta de cristal. - ¡Peligro de quemaduras!



- ▶ Baje el nivel de agua según los pasos 1 al 6 del capítulo CUIDADO Y LIMPIEZA (FILTRO DE LA BOMBA).
- ▶ Tire de la palanca (A) que está debajo de la tapa de servicio (Il. 9-1) hasta que la puerta se desbloquee con un clic suave.
- ▶ Fije todas las piezas y cierre la trampa de servicio.

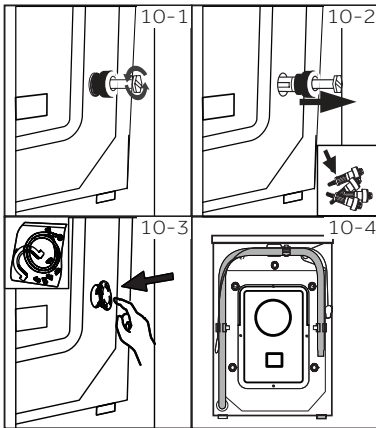
10.1 Preparación

- ▶ Saque el aparato del embalaje.
- ▶ Retire todo el material de embalaje incluyendo la base de poliestireno, manténgalos fuera del alcance de los niños. Al abrir el paquete, se podrían observar gotas de agua en la bolsa de plástico y ojo de buey. Este fenómeno normal resulta de las pruebas de agua en la fábrica.



Nota: Eliminación del embalaje

Mantenga todos los materiales de embalaje fuera del alcance de los niños y deséchelos de forma ecológica.



10.2 Desmonte los pernos de transporte

Los pernos de transporte están diseñados para sujetar componentes vibratorios en el interior del aparato durante el transporte para evitar el daño interno.

1. Retire los 4 pernos de la parte trasera y retire la junta de plástico (Il. 10-1)(Il. 10-2).
2. Rellena los agujeros que quedan con la tapa de tapón (Il. 10-3)(Il. 10-4).



Nota: Guardar en lugar seguro

Conserve los pernos de transporte en un lugar seguro para su uso posterior. Si el aparato se va a mover vuelva a instalar los pernos.

10.3 Mover el aparato

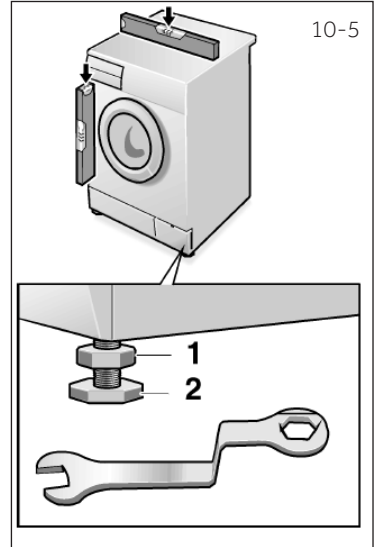
Si la máquina va a ser trasladada a un lugar distante, vuelva a colocar los pernos de transporte retirados antes de la instalación para evitar daños:

1. Retire los tapones de cierre.
2. Extraiga la cubierta posterior
3. Inserte los espaciadores de plástico y los pernos de transporte.
4. Apriete los tornillos con una llave inglesa.
5. Vuelva a colocar la cubierta.

10.4 Alineación del aparato

Ajuste todas las patas (Fig. 10-5) para conseguir una posición completamente nivelada. Esto reducirá al mínimo las vibraciones y por lo tanto el ruido durante el uso. También reducirá el desgaste. Se recomienda utilizar un nivel de burbuja para el ajuste. El piso debe ser tan estable y plano como sea posible.

1. Suelte la contratuerca (1) con una llave.
2. Ajuste la altura girando el pie (2).
3. Apriete la contratuerca (1) contra la carcasa



10.6 Conexión del desagüe

Fije el tubo de desagüe correctamente a la tubería. ¡La manguera tiene que llegar en un momento dado una altura entre 80 y 100 cm por encima de la línea de fondo del aparato! Si es posible siempre mantenga la manguera de desagüe fija al clip en el aparato de nuevo.



ADVERTENCIA!

- ▶ Use solo el conjunto de la manguera suministrado para la conexión.
- ▶ ¡Nunca use conjuntos de manguera viejos o usados!
- ▶ Conecte solo al abastecimiento de agua fría.
- ▶ Antes de la conexión, revise si el agua está limpia y clara.

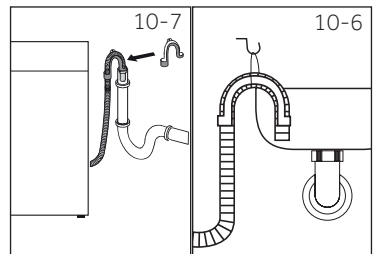
Ahora se pueden realizar las siguientes conexiones:

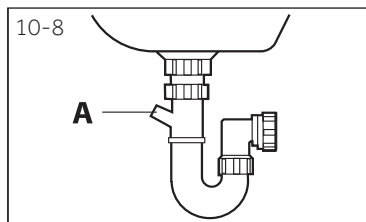
10.5.1 Manguera de desagüe hacia el fregadero

- ▶ Cuelgue la manguera de desagüe con el soporte en U del borde de un fregadero con un tamaño adecuado (Fig. 10-6).
- ▶ Proteja el soporte en U lo suficiente contra el deslizamiento.

10.5.2 Drene la manguera hacia el desagüe

- ▶ El diámetro interno de la tubería vertical con desagüe del aire debe ser de 40 mm. mínimo.
- ▶ Ponga la manguera de desagüe de aprox. 80 mm en la tubería de desagüe.
- ▶ Una el soporte en U y asegúrelo bien (Il. 10-7).





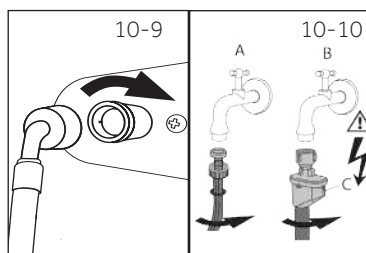
10.5.3 Conexión de la manguera de desagüe al fregadero

- ▶ La unión debe estar por encima del sifón
- ▶ Por lo general, una conexión de espiga se cierra mediante una almohadilla (A). Deben eliminarse para evitar cualquier disfunción (Fig. 10-8).
- ▶ Asegure la manguera con una abrazadera.



PRECAUCIÓN!

- ▶ La manguera de desagüe no debe ser sumergida en agua y debe ser fijada firmemente e instalarse libre de fugas. Si la manguera de desagüe se coloca en el suelo o si la tubería se encuentra a una altura inferior a 80 cm, la lavadora desaguará continuamente mientras se llena la tina (auto-sifón).
- ▶ El tubo de descarga no se debe extender. De ser necesario contacte al servicio de postventas.



10.7 Conexión de agua fresca

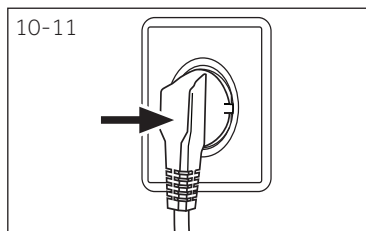
Asegúrese de que se inserten las juntas.

1. Conecte la manguera de entrada de agua con el extremo en ángulo al aparato (Imagen 10-9). Apriete la junta de tornillo con la mano.
2. El otro extremo se conecta a una llave de agua con una rosca de 3/4" (Imagen 10-10).



Nota: Sistema para detener el agua:

Algunos modelos están equipados con una manguera de entrada de agua-stop (B). El sistema de aqua-stop protege contra el daño del agua cortando automáticamente el suministro de agua dulce en caso de una manguera con fugas. Esto se indica mediante un marcador rojo (C). La manguera debe ser reemplazada.



10.8 Conexión eléctrica

Antes de cada conexión, compruebe si:

- ▶ la fuente de corriente, la toma de enchufe y los fusibles son adecuados, según la placa de especificaciones.
- ▶ la toma de corriente tiene conexión a tierra y no se está usando ningún adaptador múltiple o cable prolongador eléctrico.
- ▶ el enchufe y el toma corriente son compatibles.
- ▶ **Solo para el Reino Unido:** El enchufe para el Reino Unido cumple con la norma BS1363A.

Enchufe el aparato eléctrico en la toma de corriente (II, 10-11).

**ADVERTENCIA!**

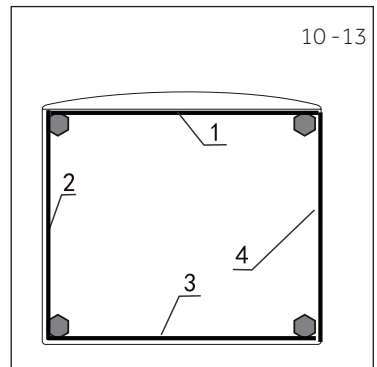
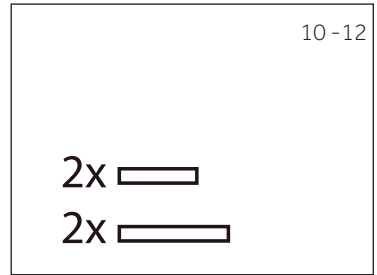
- ▶ ¡Asegúrese siempre de que todas las conexiones (suministro de corriente, la manguera de desagüe y de agua potable) estén firmes, secas y sin fugas!
- ▶ Tenga cuidado de que estas piezas nunca sean aplastadas, retorcidas, o dobladas
- ▶ Si el cable de corriente está dañado, debe ser sustituido por el agente de servicio (vea la tarjeta de garantía) con el fin de evitar situaciones de peligro. .

**Nota: Higiénico**

Después de la instalación o largos períodos de inactividad, antes del primer uso y de manera regular, se recomienda ejecutar el programa HIGIÉNICO sin carga y una pequeña cantidad de detergente en el compartimento del agente de lavado (2) o un limpiador especial para máquina para eliminar los residuos posiblemente corruptos.

10.8 Instrucciones de instalación de las almohadillas de reducción de ruido (2.2 Accesorios-esponja)

1. Al abrir el embalaje, encontrará las almohadillas de reducción de ruido. Estos se utilizan para reducir el ruido. (Il. 10-12).
2. Colocar la lavadora de lado, con la portilla hacia arriba y la parte inferior hacia el operario.
3. Retire las almohadillas de reducción de ruido y retire la película protectora adhesiva de doble cara; las almohadillas de reducción de ruido debajo de la carcasa de la lavadora tal como se muestra en la Ilustración 10-13. (dos almohadillas más largas en la posición 1 y 3, y dos más cortas en la posición 2 y 4). Finalmente, coloque el aparato de nuevo en posición vertical.



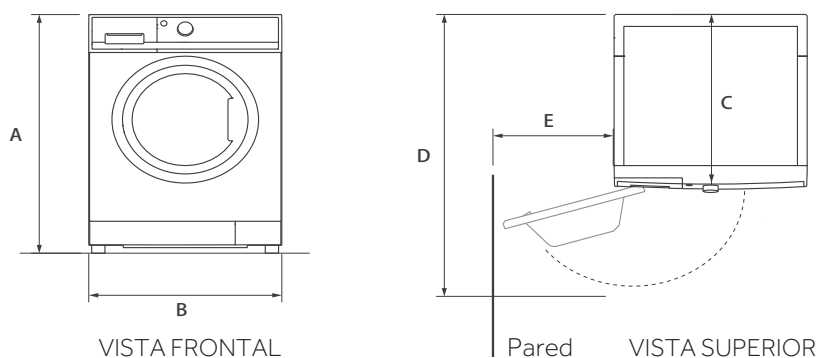
Sugerencias para el calentamiento:

La almohadilla de reducción de ruido es opcional, podría ayudar a reducir el ruido, por favor ensámblela o no según usted prefiera.

11.1 Datos técnicos adicionales

| | HW100-B1239N | HW90-B1239N | HW80-B1239N |
|-------------------------|-----------------|-------------|-------------|
| Voltaje en V | 220-240 V~/50Hz | | |
| Corriente en A | 10 | | |
| Potencia máxima en W | 2000 | | |
| Presión del agua en MPa | 0.03≤P≤1 | | |
| Peso neto en kg | 74 | 74 | 72 |

11.2 Tamaño del product



| Tamaño del product | HW100-B1239N | HW90-B1239N | HW80-B1239N |
|---|--------------|-------------|-------------|
| A Altura total del producto mm | 850 | 850 | 850 |
| B Ancho total del producto mm | 595 | 595 | 595 |
| C Profundidad total del producto (el tamaño hasta el panel de control) mm | 600 | 600 | 550 |
| D Profundidad de puerta abierta mm | 1100 | 1100 | 1050 |
| E Espacio mínimo de la puerta al muro adyacente mm | 400 | 400 | 400 |

Nota: La altura exacta de su lavadora depende de cuán lejos se extiendan los pies desde la base de la máquina. El espacio donde instale su lavadora debe ser al menos 40 mm más ancho y 20 mm más profundo que sus dimensiones.

11.3 Normas y directivas

Este producto cumple todos los requerimientos de las directivas de la EU aplicables con las normas armonizadas correspondientes, y ostenta la marca CE.

Recomendamos recurrir al centro de atención al cliente de Haier y utilizar repuestos originales.

Si tiene un problema con su aparato, consulte primero la sección SOLUCIÓN DE PROBLEMAS.

Si no puede encontrar una solución en esta sección, contacte con

- ▶ su distribuidor local o
- ▶ el área de Servicio y Soporte en www.haier.com, donde puede encontrar números de teléfono y Preguntas frecuentes y donde puede activar la solicitud de servicios.

Antes de contactar a nuestro servicio técnico, asegúrese de tener los siguientes datos disponibles.

Puede encontrar la información en la tabla de especificaciones.

Modelo _____ N° de serie _____

Asimismo, compruebe la tarjeta de la garantía suministrada con el producto si éste aún está en garantía.


Para consultas generales de negocios se adjuntan a continuación nuestras direcciones en Europa:

| Direcciones de Haier en Europa | | | |
|--------------------------------|---|---|--|
| País* | Dirección postal | País* | Dirección postal |
| Italia | Haier Europe Trading SRL Via De Cristoforis, 12 21100 Varese ITALIA | Francia | Haier France SAS 3-5 rue des Graviers 92200 Neuilly sur Seine FRANCIA |
| España Portugal | Haier Europe, Calle Agustín de Foxá 25, 10ª Planta – 28036 Madrid ESPAÑA | Bélgica-FR Bélgica-NL Países Bajos Luxemburgo | Haier Benelux SA Anderlecht Route de Lennik 451 BÉLGICA |
| Alemania Austria | Haier Deutschland GmbH Hewlett-Packard-Str. 4 D-61352 Bad Homburg ALEMANIA | Polonia Chequia Hungría Grecia Rumanía Rusia | Haier Poland Sp. zo.o. Al. Jerozolimskie 181B 02-222 Warszawa POLONIA |
| Reino Unido | Haier Appliances UK Co.Ltd. One Crown Square Church Street East Woking, Surrey, GU21 6HR Reino Unido | | |

*Para obtener más información, por favor, consulte www.haier.com



Haier



Manual do utilizador
Máquina de lavar roupa

HW80-B1239N

HW90-B1239N

HW100-B1239N

Haier

PT

Obrigado por comprar um produto Haier.

Deve ler estas instruções cuidadosamente antes de usar o aparelho. As instruções contêm informação importante que o ajudará a obter o melhor do aparelho e assegurar a instalação segura, utilização e manutenção adequada.

Manter este manual em local conveniente para que o possa consultar sempre para a utilização segura e adequada do aparelho.

Se vender o aparelho, o oferecer, ou o deixar quando mudar de casa, ter certeza de também entregar este manual para o novo proprietário se familiarizar com o aparelho e as advertências de segurança.



Legenda

Advertência – Informação de Segurança Importante



Informação e dicas gerais



Informação ambiental



Eliminação

Ajude a proteger o ambiente e a saúde humana. Pôr a embalagem em contentores adequados para ser reciclada. Ajude a reciclar resíduos de aparelhos elétricos e eletrônicos. Não eliminar aparelhos marcados com este símbolo com o lixo doméstico. Levar o produto para os serviços de reciclagem local ou contatar o seu serviço municipal.



ADVERTÊNCIA!

Risco de lesão ou asfixia!

Quando deitar fora o aparelho deve, desligar o aparelho da corrente elétrica. Cortar os cabos de alimentação e eliminá-los. Retirar a pega da porta para evitar que crianças e animais fiquem perto do aparelho.

| | |
|----------------------------------|----|
| 1- Informação de Segurança | 4 |
| 2- Descrição do produto..... | 7 |
| 3- Painel de controlo | 8 |
| 4- Programas | 11 |
| 5- Consumo | 12 |
| 6- Utilização diária | 13 |
| 7- Lavagem ecológica | 18 |
| 8- Cuidado e Limpeza..... | 19 |
| 9- Resolução de problemas | 22 |
| 10- Instalação | 26 |
| 11- Dados técnicos | 30 |
| 12- Serviço ao cliente | 31 |

Antes de ligar o aparelho pela primeira vez ler as seguintes dicas de segurança!:



ADVERTÊNCIA!

Antes da primeira utilização

- ▶ Assegurar que não há danos de transporte.
- ▶ Assegurar que todas as fixações de transporte são removidas.
- ▶ Remover toda a embalagem e mantê-la foras do alcance das crianças.
- ▶ Manusear o aparelho sempre com pelo menos duas pessoas porque é pesado.

Uso diário

- ▶ Este equipamento pode ser usado por crianças a partir de 8 anos e mais e por pessoas com capacidades físicas, sensoriais ou mentais reduzidas ou com falta de experiência e conhecimento se lhes tiver sido dada a supervisão ou instrução relativamente ao uso do equipamento de uma forma segura e entender os riscos envolvidos.
- ▶ Manter as crianças com menos de 3 anos afastadas do aparelho a menos que estejam supervisionadas constantemente.
- ▶ As crianças não devem brincar com o aparelho.
- ▶ Não permitir que as crianças ou os animais de estimação fiquem junto do aparelho quando a porta está aberta.
- ▶ Armazenar os produtos de lavagem em local fora do alcance das crianças.
- ▶ Fechar os fechos de correr, atar fios soltos e ter cuidado com os itens pequenos para evitar que a máquina de lavar roupa fique obstruída. Se necessário, utilizar um saco ou rede apropriados.
- ▶ Não tocar ou usar o aparelho quando estiver descalço ou com as mãos ou pés húmidos ou molhados.
- ▶ Não tapar ou cobrir o aparelho durante o funcionamento do mesmo ou posteriormente para permitir que qualquer humidade se evapore.
- ▶ Não colocar objetos pesados ou fontes de calor ou que haja derramamento de líquidos na parte de cima do aparelho.
- ▶ Não usar ou armazenar detergente ou solução de limpeza a seco inflamáveis nas proximidades do aparelho.
- ▶ Não usar quaisquer sprays inflamáveis nas proximidades do aparelho.
- ▶ Não lavar qualquer vestuário tratado com solventes no aparelho sem que tenha sido previamente seco ao ar livre.

**ADVERTÊNCIA!****Uso diário**

- ▶ Não remover ou introduzir a ficha na presença de gás inflamável
- ▶ Não lavar a quente materiais em espuma de borracha ou esponja.
- ▶ Não lavar qualquer roupa que esteja suja de farinha.
- ▶ Não abrir a gaveta do detergente durante o ciclo de lavagem.
- ▶ Não tocar na porta durante o processo de lavagem, dado a mesma ficar quente.
- ▶ Não abrir a porta se o nível da água estiver visível no óculo da porta.
- ▶ Não forçar a porta para abrir. A porta está equipada com um dispositivo de bloqueio automático e abrirá pouco tempo depois do processo de lavagem ter terminado.
- ▶ Desligar o aparelho depois de cada programa de lavagem e antes de realizar qualquer rotina de manutenção e desligar o aparelho da fonte de alimentação elétrica para poupar energia e para segurança.
- ▶ Segurar a ficha, não o cabo, quando desligar o aparelho.

Manutenção / limpeza

- ▶ Assegurar que as crianças são supervisionadas se fizerem limpeza e manutenção.
- ▶ Desligar o aparelho da fonte de alimentação antes de realizar qualquer manutenção de rotina.
- ▶ Manter a parte inferior do óculo da porta limpo e abrir a porta e a gaveta do detergente se o aparelho não estiver em uso para impedir a formação de odores.
- ▶ Não usar pulverizador ou vaporizador de água para limpar o aparelho.
- ▶ A substituição do cabo de alimentação danificado deve apenas ser feita pelo fabricante, pelo seu agente de assistência ou uma pessoa igualmente qualificada de modo a evitar algum perigo.
- ▶ Não tentar reparar o aparelho autonomamente. Em caso de reparação deve contactar o nosso serviço ao cliente.

Instalação

- ▶ O aparelho deve ser colocado num local bem ventilado. Assegurar que a localização permite que a porta abra totalmente.
- ▶ Nunca instalar o aparelho no exterior num local húmido ou numa zona a qual possa estar sujeita a fugas de água tal como por baixo ou perto de um lavatório. Na eventualidade de uma fuga de água cortar a alimentação elétrica e permitir que a máquina seque naturalmente.



ADVERTÊNCIA!

Instalação

- ▶ Instalar ou usar o aparelho apenas onde a temperatura seja superior a 5 °C.
- ▶ Não colocar o aparelho diretamente em cima de um tapete ou junto à uma parede ou móvel.
- ▶ Não instalar o aparelho à luz solar direta ou perto de superfícies quentes (p.ex. fogões, aquecedores).
- ▶ Assegurar que a informação elétrica na chapa de características está de acordo com fonte de alimentação. Se não estiver, contactar um electricista.
- ▶ Não usar adaptadores multi-fichas ou cabos de extensão.
- ▶ Assegurar que são apenas usados o cabo elétrico e a mangueira fornecidos.
- ▶ Assegurar que não danifica o cabo elétrico e a ficha. Se danificado deve ser substituído por um electricista.
- ▶ Usar uma tomada com ligação à terra para a fonte de alimentação que seja acessível facilmente depois da instalação. O aparelho deve ser ligado à terra.
- ▶ Assegurar que as uniões e as ligações da mangueira estão firmes e que não há fuga.

Utilização prevista

Este aparelho destina-se apenas para a roupa que pode ser lavada à máquina. Devem ser sempre seguidas as instruções dadas na etiqueta de cada peça de vestuário. Destina-se exclusivamente para uso doméstico dentro de casa. Não está previsto para utilização comercial ou industrial.

Não são permitidas alterações ou modificações ao aparelho. Utilização não indicada pode causar perigos e perda de toda a garantia e de solicitações de responsabilidade.

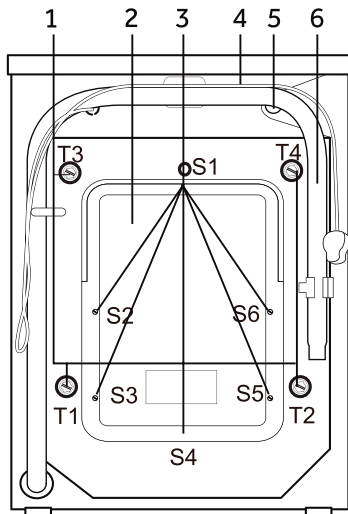
i Nota:

Devido a alterações técnicas e modelos diferentes, as ilustrações nos capítulos seguintes podem diferir do seu modelo.

2.1 Imagem do aparelho



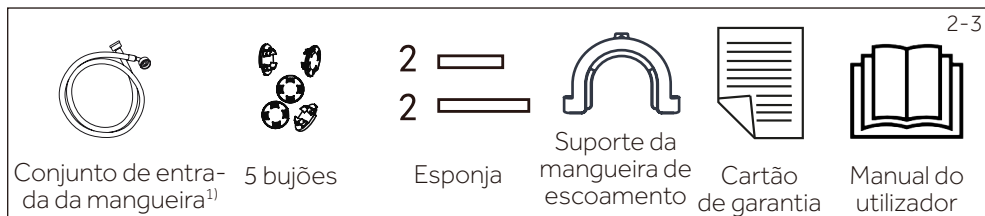
1. Gaveta do detergente / Amaciador
2. Seletor do programa
3. Bancada
4. Visor
5. Placa de características
6. Aba de serviço
7. Pés ajustáveis



1. Parafusos de transporte (T1-T4)
2. Tampa traseira
3. Parafusos da tampa traseira (S1-S6)
4. Cabo de alimentação
5. Válvula de entrada de água
6. Mangueira de escoamento

2.2 Acessórios

Verificar os acessórios e literatura em conformidade com esta lista (Fig.: 2-3).





1 Botão "Ligar/Desligar"

3 Visor

5 Botões de função

2 Seletor do programa

4 Gaveta do detergente /
Amaciador

6 Botão "Fim Diferido"

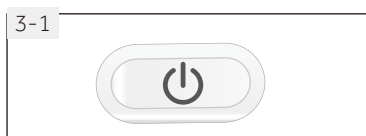
7 "Botão Iniciar/Pausa"

Nota : Sinal acústico

Nos seguintes casos é emitido um sinal acústico:

- ▶ quando premir um botão
- ▶ quando rodar o seletor do programa
- ▶ no fim do programa
- ▶ no caso de avarias

O sinal acústico pode ser cancelado se necessário; consultar USO DIÁRIO.



3.1 Botão "Ligar/Desligar"

Premir ligeiramente este botão (Fig. 3-1) para ligar, o visor fica aceso, o indicador no botão "Iniciar/Pausa" estão a piscar. Premir de novo durante cerca de 2 segundos para desligar. Se após algum tempo não for ativado qualquer elemento do painel ou programa a máquina desligar-se-á automaticamente.



3.2 Seletor do programa

Ao rodar o botão (Fig. 3-2) pode ser selecionado um dos 16 programas, a luz LED respetiva acenderá, e serão exibidas as respetivas definições predefinidas.



3.3 Visor

O visor (Fig. 3-3) exibe a informação seguinte:

- ▶ Tempo de lavagem
- ▶ Final do tempo diferido
- ▶ Códigos de erro e informação de assistência

3.4 Gaveta do detergente

Abrir a gaveta, podem ser visualizados três compartimentos (Fig. 3-4):

Compartimento 1 : Apenas entrada de água, detergente não

Compartimento 2 : Detergente para o programa

Compartimento  : Solução do amaciador, condicionador, etc.

A recomendação acerca do tipo de detergentes é adequada para as várias temperaturas de lavagem, deve consultar o manual do detergente

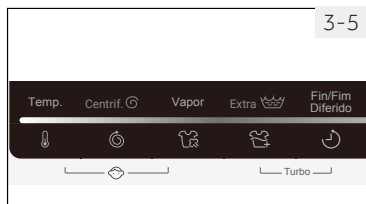
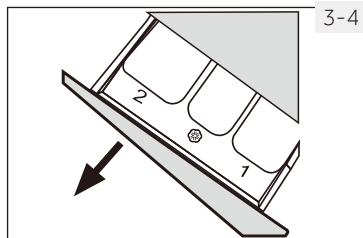
3.5 Botões de função

Os botões de função (Fig. 3-5) permitem opções adicionais nos programas selecionados antes do programa se iniciar. Os respetivos indicadores são agora exibidos.

Ao desligar o aparelho ou ao definir um novo programa, todas as opções são desativadas.

Se um botão tiver opções múltiplas, a opção pretendida pode ser selecionada premindo sequencialmente o botão.

Para apagar a definição ou para cancelar o processo de definição, premir o botão de função até que as luzes do LED pretendido acendam ou no caso de um única opção- o LED apaga-se.



Nota: Definições de fábrica

Para obter os melhores resultados em cada programa, a Haier estabeleceu predefinidas específicas. Se não houver requisitos especiais são recomendadas as definições predefinidas.

3.5.1-Botão da função "Temp."

Premir este botão (Fig. 3-5-1) para alterar a temperatura de lavagem do programa. Se nenhum valor estiver iluminado a água não ficará quente.

Em conjunto com o botão " Vapor " a função de bloqueio de crianças pode ser ligada/desligada (consultar BLOQUEIO DE CRIANÇAS).

3.5.2-Botão da função "Centrif.

Premir este botão (Fig. 3-5-2) para alterar ou anular a seleção da centrifugação do programa. Se não acender qualquer valor a roupa não será centrifugada.

3.5.3-Botão de função "Vapor"

Premir este botão (Fig. 3-5-3) para ativar a função vapor.

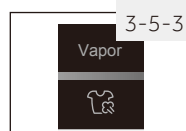
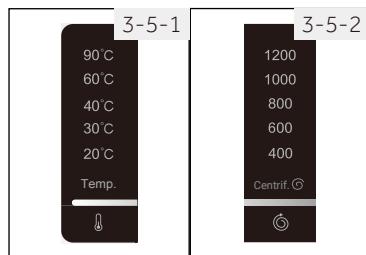
Quando esta função é ativada a temperatura predefinida é a temperatura máxima do programa selecionado.

Esta função pode ser ativada apenas com os seguintes programas:

Higiénico, Baby Care, Mix, Sintético, Algodão.

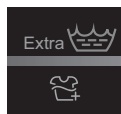
Quando a função é ativada o led por cima do botão irá acender.

Empurrando novamente este botão a função pode ser desativada e o led por cima irá apagar-se.



Quando a função é ativada a temperatura do programa não pode ser modificada. Se o botão "Temperatura" for empurrado a função "Vapor" será desativada. Pode ativar a função "Vapor" apenas antes de iniciar qualquer programa. Não pode ativar a função "Vapor" enquanto o aparelho já estiver a executar um programa.

3-5-4




3.5.4 Botão da função "Extra

Premir este botão (Fig. 3-5-4) para enxaguar a roupa mais intensivamente com água limpa. Isto é recomendado para as pessoas com pele sensível.

Ao premir o botão várias vezes podem ser selecionados um dos três ciclos adicionais. Aparecem no visor com P-- 1/P-- 2/P-- 3.

3.5.5 Função "Turbo"

Esta função economiza tempo e energia. Preferencial caso a roupa esteja ligeiramente suja. Premir simultaneamente o botão "Extra " e "Fin/Fim Diferido" (Fig. 3-5-5) durante cerca de 3 segundos para ativar a função "Turbo"; **SPEED UP** é exibido. Esta função não está disponível em todos os programas (consultar PROGRAMAS).

3-5-5



3-6



3.6 Botão "Fim Diferido"

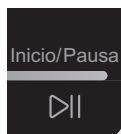
Premir este botão (Fig. 3-6) para iniciar o programa com um diferimento. O diferimento do tempo de fim pode ser aumentado em etapas de 30 minutos a partir de meia hora até 24 horas. Por exemplo a exibição de **6:30** significa que o fim do ciclo do programa será em 6 horas e 30 minutos. Premir o botão "Iniciar/Pausa" para ativar o tempo diferido. Não é aplicável ao programa CENTRIFUGAÇÃO.



Nota: Detergente líquido

Se usar detergente líquido, não é recomendado ativar o fim diferido.

3-7



3.7 Botão "Início/Pausa"

Premir ligeiramente este botão (Fig. 3-7) para iniciar ou interromper o programa que está a ser atualmente exibido. Durante a definição do programa e durante a execução do programa, o LED acima do botão está a brilhar, ou se interrompido, a piscar.

3-8-1



3.8 Bloqueio Crianças

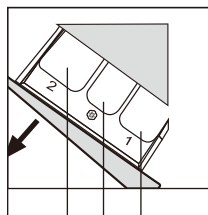
Premir simultaneamente o botão „Temperatura“ e "Vapor" (Fig. 3-8-1) durante 3 segundos para bloquear todos os elementos do painel contra ativação. Para desbloquear deve premir os dois botões de novo.

O visor exibe **CLrd** (Fig. 3-8-2) se for premido um botão, quando o bloqueio de crianças estiver ativado. A alteração não está a funcionar.

3-8-2



• Opcional, / Não



Compartimento do detergente para:

- 1 Apenas entrada de água, detergente não
- 2 Detergente
- 3 Amaciador ou produto de manutenção

| Programa | Carga máx. em kg ¹⁾ | | | Temperatura em °C ²⁾ | Predefinição | 2 | 3 | 1 | Tipo de fibra | Velocidade de centrifugação predefinida em rpm | Função | | |
|------------------------------|--------------------------------|-------------|--------------|---------------------------------|--------------|---|---|---|--|--|---------------------|-------|-------|
| | HW80-B1239N | HW90-B1239N | HW100-B1239N | | | | | | | | limite selecionável | Vapor | Extra |
| Algodão | 8,0 | 9,0 | 10,0 | * até 90 ³⁾ | 40 | o | o | / | Algodão | 1200 | o | o | o |
| Sintético | 4,0 | 4,5 | 5,0 | * até 60 | 40 | o | o | / | Tecido sintético ou misto | 1200 | o | o | o |
| Mix | 8,0 | 9,0 | 10,0 | * até 60 | 30 | o | o | / | Roupa misturada de algodão e sintética ligeiramente suja | 1000 | o | o | o |
| Baby Care | 4,0 | 4,5 | 5,0 | * até 90 ³⁾ | 40 | o | o | / | Algodão / Sintéticos | 1000 | o | o | o |
| Higiênico | 4,0 | 4,5 | 5,0 | 90 | 90 | o | o | / | Algodão | 1000 | o | o | / |
| Lingerie | 4,0 | 4,5 | 5,0 | * até 60 | 40 | o | o | / | Roupa interior | 1000 | / | o | o |
| Algodão 20°C | 8,0 | 9,0 | 10,0 | 20 | 20 | o | o | / | Algodão | 1200 | / | o | o |
| Eco 40-60 | 8,0 | 9,0 | 10,0 | / | / | o | o | / | Algodão | / | / | / | / |
| Rápido ⁴⁾ | 4,0 | 4,5 | 5,0 | * até 40 | 40 | o | o | / | Roupa de algodão ou sintética ligeiramente suja | 1000 | / | o | / |
| Express 15 min ⁴⁾ | 2,0 | 2,25 | 2,5 | * até 40 | * | o | o | / | Algodão / Sintético | 1000 | / | o | / |
| Sport | 4,0 | 4,5 | 5,0 | * até 40 | 20 | o | o | / | Roupa desportiva | 800 | / | o | / |
| Lã | 2,0 | 2,25 | 2,5 | * até 40 | * | o | o | / | Tecido lavável à máquina feito de lã ou com conteúdo de lã | 800 | / | o | / |
| Delicado | 2,0 | 2,25 | 2,5 | * até 30 | 30 | o | o | / | Roupa delicada e seda | 400 | / | o | / |
| Jeans | 4,0 | 4,5 | 5,0 | * até 60 | 30 | o | o | / | Calças de ganga | 1000 | / | o | o |
| Edredão | 2,0 | 2,25 | 2,5 | * até 40 | 40 | o | / | / | Algodão | 800 | / | o | o |
| Centrif. | 8,0 | 9,0 | 10,0 | / | / | / | / | / | Todos os tecidos | 1000 | / | / | / |

¹⁾ Relativo a secagem da roupa.

²⁾*: a água não será aquecida (nenhum valor está iluminado).

³⁾ Escolher temperatura de lavagem 90 °C apenas para as exigências especiais de higiene.

⁴⁾ Reduzir a quantidade de detergente porque a duração do programa é curta.

Digitalize o QR Code na etiqueta energética para obter mais informações sobre o consumo de energia.

O consumo real de energia pode diferir do consumo declarado de acordo com as condições da legislação local.

Programa UE1015 / 2010

Selecione ECO 40-60, pressione "Velocidade" durante 10s e depois ajuste para 60°C/40°C no máx. de velocidade de centrifugação. Os programas standard para algodões de 60°C e 40°C são adequados para limpar a sujidade normalmente presente na maioria das roupas e são os programas mais eficientes a nível da combinação de consumo de energia e consumo de água para roupas de algodão. A temperatura real da água pode ser um pouco diferente da temperatura referida do ciclo.



Nota: Pesagem automática

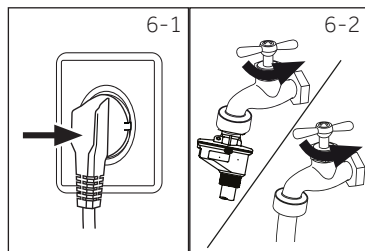
O aparelho está equipado com um reconhecimento de carga. Com uma carga reduzida, a energia, a água e o tempo de lavagem serão automaticamente reduzidos nalguns programas (Algodão, Sintético, Mix, Baby Care, Algodão 20°C, Eco 40-60). Ecrã de visualização **AUEQ**.

6.1 Fonte de alimentação

Ligar a máquina de lavar a uma fonte de energia (220V to 240V~/50Hz; Fig. 6-1) Deve consultar a secção INSTALAÇÃO

6.2 Ligação da água

- ▶ Antes de ligar verificar a limpeza e se a entrada da água se encontra limpa.
- ▶ Abrir a torneira (Fig.6-2)

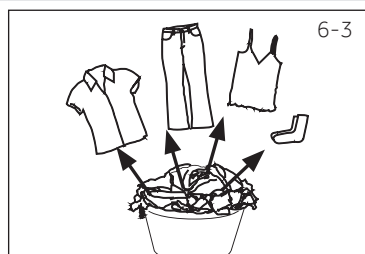


i Nota: Aperto:

Antes de usar verificar a existência de fugas nas juntas entre a torneira e a mangueira da entrada rodando a torneira.

6.3 Preparar a roupa

- ▶ Separar a roupa conforme os tecidos (algodão, sintéticos, lã ou seda) e conforme a sujidade nos mesmos (Fig. 6-3). Prestar atenção às etiquetas relativas aos cuidados a ter e à lavagem.
- ▶ Separar as roupas brancas das de cor. Lavar os tecidos de cor primeiro à mão para verificar se desbotam ou se mantêm a cor.
- ▶ Esvaziar os bolsos (chaves, moedas, etc) e remover os objetos decorativos rijos (por ex. pregoadeiras).
- ▶ Peças de vestuário sem bainhas, tecidos de algodão finos e delicados como cortinas fias devem ser colocados dentro de um saco de lavagem para o tratamento desta roupa delicada (será melhor limpar a seco ou lavar à mão).
- ▶ Fechar os fechos de correr, os fechos de velcro e os ganchos, assegurar que os botões estão firmemente cozidos.
- ▶ Colocar os itens delicados como as peças de roupa sem bainhas firmes, roupa interior delicada (in'tima) e pequenos itens como meias, cintos, sutiãs, etc. num saco de lavagem.
- ▶ Desdobrar as peças de tecido grandes como os lençóis, colchas, etc.
- ▶ Colocar as calças de ganga e os tecidos impresos, decorados ou com cores intensas do lado do avesso, se possível lavar os mesmos separadamente.



CUIDADO!

Não têxteis, bem como itens pequenos, soltos ou com pontas aguçadas podem originar um mau funcionamento e danificar as peças de roupa e o aparelho.

Tabela de cuidados a ter

| Lavagem | | | | | |
|------------------------------------|--|--|--|--|---|
| | Lavável até 95°C processo normal | | Lavável até 60°C processo normal | | Lavável até 60°C processo moderado |
| | Lavável até 40°C processo normal | | Lavável até 40°C processo moderado | | Lavável até 40°C processo muito moderado |
| | Lavável até 30°C processo normal | | Lavável até 30°C processo moderado | | Lavável até 30°C processo muito moderado |
| | Lavar à mão máx. 40°C | | Não lavar | | |
| Branqueamento | | | | | |
| | Permitido qualquer branqueamento | | Apenas oxigénio/sem cloro | | Não branquear |
| Secagem | | | | | |
| | Secagem no secador possível temperatura normal | | Secagem no secador possível a temperatura mais baixa | | Não secar no secador |
| | Secagem em estendal | | Secagem em superfície plana | | |
| Engomar: | | | | | |
| | Engomar a uma temperatura máxima de até 200 °C | | Engomar a uma temperatura média de até 150°C | | Engomar a uma temperatura mais baixa de até 110 °C; sem vapor (engomar a vapor pode causar danos irreversíveis) |
| | Não engomar | | | | |
| Cuidados profissionais dos tecidos | | | | | |
| | Limpar a seco em tetracloretileno | | Limpar a seco em hidrocarbonetos | | Não limpar a seco |
| | Limpeza húmida profissional | | Não fazer limpeza húmida profissional | | |

6.4 Carregar o aparelho

- ▶ Colocar a roupa peça a peça
- ▶ Não sobrecarregar Ter em atenção à carga máxima de acordo com os programas! Regra de ouro para a carga máxima: Deixar dois centímetros e meio entre a carga e o topo do tambor.
- ▶ Fechar a porta cuidadosamente Assegurar que não há peças de roupa presas.

6.5 Selecionar o detergente

- ▶ A eficiência e o desempenho da lavagem são determinados pela qualidade do detergente usado.
- ▶ Usar apenas detergente para lavagem à máquina devidamente aprovado.
- ▶ Se necessário usar detergentes específicos, por exemplo para tecidos sintéticos ou lãs.
- ▶ Seguir sempre as recomendações do fabricante relativamente ao detergente.
- ▶ Não usar soluções de limpeza a seco como o tricloroetileno e produtos similares.

Escolher o melhor detergente

| Programa | Tipo de detergente | | | | |
|------------------------------|--------------------|-----|----------|----------|-----------|
| | Universal | Cor | Delicado | Especial | Amaciador |
| Algodão | L/P | L/P | - | - | o |
| Sintético | - | - | L/P | - | o |
| Mix | L/P | L/P | - | - | o |
| Baby Care | L/P | L/P | - | - | o |
| Higiénico | L/P | L/P | L | - | o |
| Lingerie | L/P | L/P | - | - | o |
| Algodão 20°C | L/P | L/P | - | - | o |
| Eco 40-60 | L/P | L/P | - | - | o |
| Rápido ⁴⁾ | L/P | L/P | - | - | o |
| Express 15 min ⁴⁾ | L | L | - | - | o |
| Sport | - | - | - | L | o |
| Lã | - | - | L/P | L/P | o |
| Delicado | - | - | - | L/P | o |
| Jeans | L/P | L/P | L | - | o |
| Edredão | - | - | L | L/P | - |

L = gel-/detergente líquido P = detergente em pó O = opcional -- = não

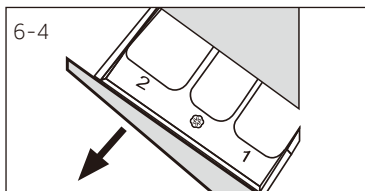
Se usar detergente líquido, não é recomendado ativar o tempo diferido

Recomendamos o uso de:

- ▶ Detergente em pó: 20°C a 90°C* (melhor utilização: 40-60°C)
- ▶ Detergente roupa de cor: 20°C a 60°C (melhor utilização: 30-60°C)
- ▶ Detergente lã/tecidos delicados: 20°C a 30°C (=melhor utilização:

* Escolher temperatura de lavagem 90 °C apenas para as exigências especiais de higiene.

* É melhor usar menos ou detergente em pó que não forme espuma.

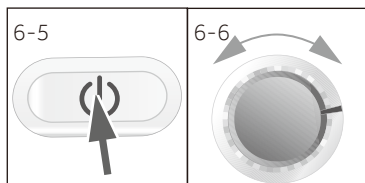


6.6 Adicionar detergente

1. Puxar a gaveta do detergente para fora.
2. Colocar os produtos químicos necessários nos compartimentos correspondentes (Fig. 6-4).
3. Voltar a colocar cuidadosamente a gaveta.

i Nota:

- ▶ Remover os resíduos do detergente da gaveta do detergente antes do próximo ciclo de lavagem.
- ▶ Não usar detergente ou amaciador em excesso.
- ▶ Deve seguir as instruções que se encontram na embalagem do detergente.
- ▶ Encher sempre o detergente imediatamente antes do ciclo de lavagem.
- ▶ Os detergentes líquidos concentrados devem ser diluídos antes de serem adicionados no compartimento 2.
- ▶ O melhor uso de detergente líquido é com uma bola de dosagem, que é dada com a roupa na máquina de lavar.
- ▶ Não usar detergente líquido se a função "Final do tempo diferido" estiver selecionada.
- ▶ Escolher cuidadosamente as definições do programa de acordo com os símbolos de cuidado em todas as etiquetas existentes no vestuário e de acordo com a tabela do programa.



6.7 Ligar o aparelho

Premir o botão "Ligar/Desligar" para ligar o aparelho (Fig 6-5)

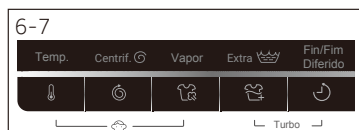
6.8 Selecionar um programa

Para obter os melhores resultados de lavagem, selecionar um programa que seja adequado para o grau de sujidade e para o tipo de roupa.

Rodar o botão do programa (Fig 6-6) para selecionar o programa adequado. As luzes do respetivo programa acendem e são exibidas as definições predefinidas.

i Nota: Remover odor

Antes da primeira utilização recomendamos realizar o programa HIGIÉNICO sem carga e com uma pequena quantidade de detergente no compartimento do detergente (2) ou uma solução especial para máquina para remover resíduos que possam ser corrosivos.



6.9 Adicionar seleções individuais

Selecionar as opções e as definições exigidas (Fig. 6-7); consultar PAINEL DE CONTROLO.

6.10 Iniciar o programa de lavagem

Premir o botão "Início/Pausa" (Fig. 6-8) para iniciar. O LED do botão "Iniciar/Pausa" deixa de piscar e acende continuamente.

O aparelho funciona de acordo com as definições predefinidas. As alterações são apenas possíveis através do cancelamento do programa.



6.11 Interromper - cancelar o programa de lavagem

Para interromper um programa que está a decorrer premir suavemente "Iniciar/Pausa". O LED acima do botão fica a piscar. Premir de novo para reiniciar o funcionamento.

Para cancelar um programa em execução e todas as respetivas definições individuais.

1. Premir o botão "Início/Pausa" para interromper um programa que está a ser realizado.
2. Premir o botão "Ligar/Desligar" durante cerca de 2 segundos para desligar o aparelho.
3. Correr o programa CENTRIFUGAÇÃO e selecionar "nenhuma velocidade" (todas as luzes estão apagadas) para drenar a água.
4. Selecionar um novo programa e iniciar o mesmo.



Nota: Bloqueio da porta

- ▶ Por razões de segurança a porta é parcialmente bloqueada durante o ciclo de lavagem. É apenas possível abrir a porta no fim do programa ou depois do programa ter sido cancelado corretamente (ver a descrição acima).
- ▶ No caso de elevados níveis de água, temperatura elevada da água e durante a centrifugação não é possível abrir a porta; **Lack** é exibido

6.12 Após a lavagem

1. No fim do ciclo do programa é exibido **End**.
2. O aparelho desliga-se automaticamente.
3. Remover a roupa logo que possível para facilitar e para evitar mais rugas.
4. Desligar o fornecimento da água.
5. Desligar o cabo de alimentação.
6. Abrir a porta para impedir a formação de humidade e de odores. Deixar a mesma aberta quando não estiver em uso.




Nota: Modo em espera / modo de poupança de energia

O aparelho ligado entrará no modo em espera se não for ativado dentro de 2 minutos antes do início do programa ou no fim do programa. O visor desliga-se. Isto poupa energia. Para interromper o modo em espera, premir o botão "Iniciar/Pausa".

6.13 Ativar ou desativar a campanha

O sinal acústico pode ser cancelado se necessário:

1. Ligar o aparelho.
2. Selecionar o programa CENTRIFUGAÇÃO.
3. Premir o botão "Vapor" e o botão "extra"  ao mesmo tempo durante cerca de 3 segundos. "bEEP OFF" será exibido no visor e a campanha será desativada.

Para ativar a campanha premir estes dois botões de novo ao mesmo tempo. "bEEP On" será exibido



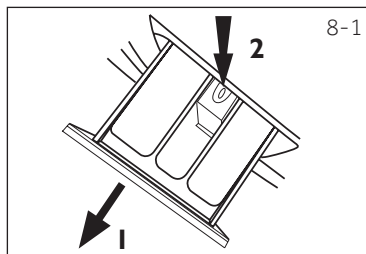
Uso ambientalmente responsável

- ▶ Para obter a melhor utilização da energia, da água, do detergente e do tempo deve usar o tamanho da carga máxima recomendada.
- ▶ Não sobrecarregar (tem de haver uma folga da largura da mão acima da roupa).
- ▶ Aplicar as dosagens exatas, selecionar o programa Lavagem Rápida.
- ▶ Aplicar as dosagens exatas de cada solução de lavagem.
- ▶ Escolher a temperatura de lavagem mais baixa adequada - os detergentes modernos fazem uma limpeza eficiente abaixo dos 60°C.
- ▶ Aumentar as definições predefinidas apenas devido a grande quantidade de manchas.
- ▶ Selecionar a velocidade de centrifugação máx. se for utilizado um secador de roupa doméstico.

8.1 Limpar a gaveta do detergente

Deve ser tido sempre cuidado em relação à existência de resíduos do detergente. Limpar a gaveta com regularidade (Fig. 8-1):

1. Puxar a gaveta até que a mesma pare.
2. Premir o botão de libertação e remover a gaveta.
3. Enxaguar a gaveta com água até que a mesma se encontre limpa e introduzir a gaveta de novo no aparelho.



8.2 Limpar a máquina

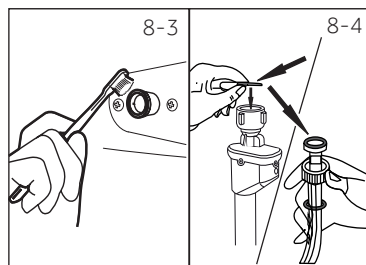
- ▶ Desligar a máquina durante a limpeza e a manutenção.
- ▶ Usar um pano macio com sabão líquido para limpar a estrutura da máquina (Fig. 8-2) e os componentes de borracha.
- ▶ Não usar solventes orgânicos, químicos ou corrosivos.



8.3 Válvula de entrada da água e filtro da válvula de entrada

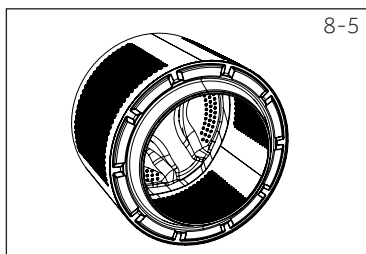
Para impedir o bloqueamento do fornecimento de água com substâncias sólidas como o calcário deve limpar regularmente o filtro da válvula de entrada.

- ▶ Desligar o cabo de alimentação e desligar o fornecimento de água.
- ▶ Desaparafusar a mangueira de entrada de água na parte de trás (Fig 8-3) do aparelho bem como na torneira.
- ▶ Enxaguar os filtros com água e uma escova (Fig. 8-4).
- ▶ Introduzir o filtro e instalar a mangueira de entrada.



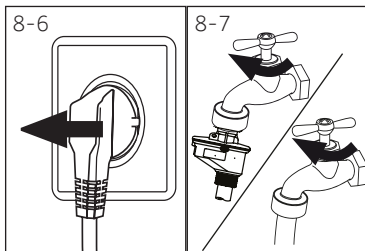
8.4 Limpar o tambor

- ▶ Remover do tambor as partes metálicas que tenham sido molhadas acidentalmente como pinos, moedas, etc. (Fig. 8-5) porque podem causar manchas de ferrugem e provocar danos.
- ▶ Use um agente de limpeza não clorídrico para remover as manchas de ferrugem. Respeitar as sugestões do fabricante da solução de limpeza.
- ▶ Não usar qualquer tipo de objetos rijos ou palha de aço para a limpeza.



Nota: Higiene

Para uma manutenção regular recomendamos realizar o programa HIGIÊNICO sem cargas de modo a remover os possíveis resíduos corrosivos trimestralmente. É melhor usar uma pequena quantidade de solução de limpeza especial para máquina no compartimento do detergente de lavagem (2).



8.5 Longos períodos de não utilização

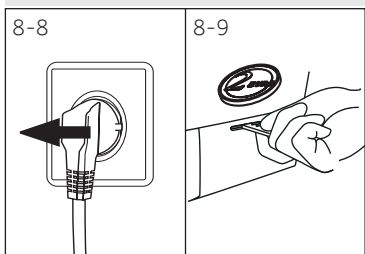
Se a máquina for deixada inativa durante um longo período de tempo:

1. Desligar a ficha elétrica (Fig. 8-6).
2. Desligar o abastecimento de água (Fig. 8-7).
3. Abrir a porta para impedir a formação de humidade e de odores. Deixar a porta aberta quando não estiver em uso.

Antes da próxima utilização verificar cuidadosamente o cabo de alimentação, a entrada de água e a mangueira de escoamento. Assegurar que está tudo corretamente instalado e sem fugas.

i Nota: Higiene

Após longos períodos de não utilização recomendamos realizar o programa HIGIÊNICO sem carga e com uma pequena quantidade de detergente no compartimento do detergente (2) ou uma solução especial para máquina para remover resíduos que possam ser corruptíveis.



8.6 Filtro da bomba

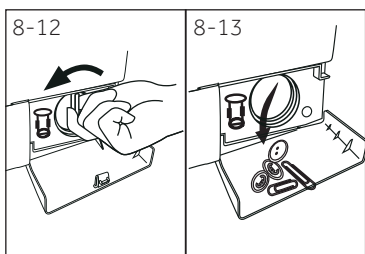
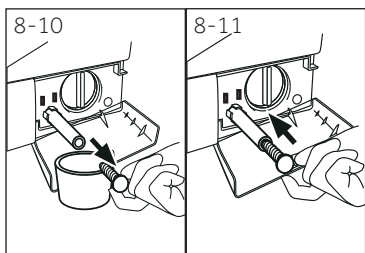
Limpar o filtro uma vez por mês e verificar se o filtro da bomba, por exemplo, se o aparelho:

- ▶ não escoar a água.
- ▶ não centrifugar.
- ▶ causar um ruído anormal quando está em funcionamento.



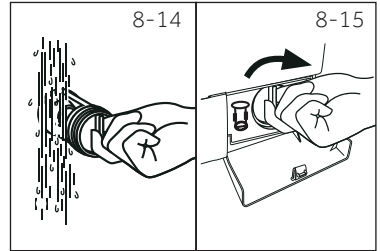
ADVERTÊNCIA!

Perigo de queimaduras! A água no filtro da bomba pode ficar muito quente! Antes de qualquer ação deve assegurar que a água arrefeceu.



1. Desligar totalmente a máquina (Fig. 8-8).
2. Abrir a aba de reparação. Pode usar uma moeda ou uma chave de parafusos (Fig. 8-9).
3. Providenciar um recipiente plano para recolher a água com lexívia (Fig. 8-10). Pode existir uma grande quantidade!
4. Puxar a mangueira de escoamento para fora e manter as respetivas extremidades por cima do recipiente (Fig. 8-10).
5. Remover o tampão da mangueira de escoamento (Fig. 8-10).
6. Depois do escoamento estar concluído fechar a mangueira de escoamento (Fig. 8-11) e voltar a introduzi-la na máquina.
7. Desparafusar e remover o filtro da bomba no sentido anti-horário (Fig. 8-12).
8. Remover os contaminantes e a sujidade (Fig. 8-13).

9. Limpar cuidadosamente o filtro da bomba, por ex. utilizando água corrente (Fig. 8-14).
10. Fixar o mesmo totalmente (Fig. 8-15).
11. Fechar a aba de reparação.



CUIDADO!

- ▶ O vedante do filtro da bomba tem de estar limpo e sem quaisquer danos. Caso a tampa não esteja totalmente enroscada, pode haver fuga de água.
- ▶ O filtro tem de estar na posição, ou pode originar uma fuga de água.

Muitos problemas ocorridos podem ser resolvidos por si sem conhecimento específico. Leia a tabela seguinte e verifique se consegue resolver o problema que surgiu. Se não encontrar a causa possível e respetiva solução, por favor, não tente solucionar avarias por si e contacte o SERVIÇO DE ASSISTÊNCIA TÉCNICA.



ADVERTÊNCIA!

- ▶ Antes da manutenção, desativar o aparelho e desligar a ficha de alimentação da tomada de rede.
- ▶ Equipamento elétrico deve ser assistido apenas por técnicos em eletricidade qualificados, porque reparações inapropriadas podem causar danos consequenciais consideráveis.
- ▶ Um cabo de alimentação danificado apenas deve ser substituído pelo fabricante, pelo seu agente de assistência ou uma pessoa igualmente qualificada de modo a evitar algum perigo.

9.1. Códigos de informação

Os seguintes códigos são exibidos apenas para informação relativamente ao ciclo de lavagem. Não é necessário realizar qualquer ação.

| Código | Mensagem |
|-----------|---|
| 1:25 | O tempo restante do ciclo de lavagem será de 1 hora e 25 minutos. |
| 6:30 | O tempo restante do ciclo de lavagem incluindo o tempo de fim diferido será de 6 hora e 30 minutos. |
| P - 1/2/3 | São escolhidos 1/2/3 enxaguamentos adicionais (consultar BOTÕES DE FUNÇÃO „Enxaguamento extra”). |
| End | O ciclo de lavagem está completado. O aparelho desliga-se automaticamente. |
| CLrd | A função de bloqueio de crianças está ativada |
| Loct | A porta está fechada devido ao elevado nível de água, à temperatura elevada da água ou ao ciclo de centrifugação. |
| bEEP OFF | A campainha é desativada |
| bEEP ON | A campainha é ativada |
| SPEED UP | Função “Turbo” é ativada |

9.2. Resolução de problemas com código de exibição

| Problema | Causa | Solução |
|----------|---|---|
| CLr FLTr | <ul style="list-style-type: none"> • Erro de escoamento, a água não é totalmente escoada em 6 minutos. | <ul style="list-style-type: none"> • Limpar o filtro da bomba. • Verificar a instalação da mangueira de escoamento. |
| E2 | <ul style="list-style-type: none"> • Bloqueio - Erro | <ul style="list-style-type: none"> • Fechar a porta corretamente. |
| E4 | <ul style="list-style-type: none"> • Nível da água não atingido após 8 minutos. • A mangueira de escoamento é com sifão automático. | <ul style="list-style-type: none"> • Assegurar que a torneira está totalmente aberta e que a pressão da água é a normal. • Verificar a instalação da mangueira de escoamento. |
| EB | <ul style="list-style-type: none"> • Nível de proteção da água - erro. | <ul style="list-style-type: none"> • Contactar o serviço pós-venda. |

| Problema | Causa | Solução |
|----------------------|--|--|
| F3 | <ul style="list-style-type: none"> • Sensor de temperatura - erro. | <ul style="list-style-type: none"> • Contactar o serviço pós-venda. |
| F4 | <ul style="list-style-type: none"> • Erro de aquecimento | <ul style="list-style-type: none"> • Contactar o serviço pós-venda. |
| F7 | <ul style="list-style-type: none"> • Motor - erro. | <ul style="list-style-type: none"> • Contactar o serviço pós-venda. |
| FR | <ul style="list-style-type: none"> • Sensor do nível da água - erro | <ul style="list-style-type: none"> • Contactar o serviço pós-venda. |
| FE1 ou FCD ou FEE | <ul style="list-style-type: none"> • Erro de comunicação anormal | <ul style="list-style-type: none"> • Contactar o serviço pós-venda. |
| Unb | <ul style="list-style-type: none"> • Carga não equilibrada - erro. | <ul style="list-style-type: none"> • Verificar e equilibrar a carga da roupa no tambor. |

9.3 Resolução de problemas sem código do visor

| Problema | Causa | Solução |
|---|--|--|
| A máquina de lavar roupa não funciona. | <ul style="list-style-type: none"> • O programa ainda não arrancou. • A porta não está fechada corretamente. • A máquina não foi ligada. • Falha de energia. • O bloqueio de crianças está ativado. | <ul style="list-style-type: none"> • Verificar o programa e iniciar o mesmo. • Fechar a porta corretamente. • Ligar a máquina. • Verificar a fonte de alimentação. • Desativar bloqueio crianças. |
| A máquina de lavar roupa não enche com água. | <ul style="list-style-type: none"> • Sem água.água. • A mangueira de entrada está dobrada. • O filtro da mangueira de entrada está obstruído. • A pressão da água é inferior a 0,03 MPa. • A porta não está fechada corretamente. • Falha no fornecimento de água. | <ul style="list-style-type: none"> • Verificar a torneira da água. • Verificar a mangueira de entrada. • Desobstruir o filtro da mangueira de entrada. • Verificar a pressão da água. • Fechar a porta corretamente. • Assegurar o fornecimento de água. |
| A máquina está a esvaziar enquanto está a encher. | <ul style="list-style-type: none"> • A altura da mangueira de escoamento é inferior a 80 cm. • A extremidade da mangueira de escoamento não fica dentro de água. | <ul style="list-style-type: none"> • Assegurar que a mangueira de escoamento está corretamente instalada. • Assegurar que a mangueira de escoamento não está dentro de água. |
| Falha no escoamento. | <ul style="list-style-type: none"> • A mangueira de escoamento está obstruída. • O filtro da bomba está obstruído. • A extremidade da mangueira de escoamento está acima dos 100 cm acima do nível do chão. | <ul style="list-style-type: none"> • Desobstruir a mangueira de escoamento. • Limpar o filtro da bomba. • Assegurar que a mangueira de escoamento está corretamente instalada. |

| Problema | Causa | Solução |
|--|---|--|
| Forte vibração durante a centrifugação. | <ul style="list-style-type: none"> • Não foram removidos todos os parafusos de transporte. • O aparelho não está numa posição estável. • A carga da máquina não é a correta. | <ul style="list-style-type: none"> • Remover todos os parafusos de transporte. • Assegurar uma superfície estável e uma posição nivelada. • Verificar o peso da carga e equilibrar. |
| O funcionamento para antes do ciclo de lavagem estar concluído. | <ul style="list-style-type: none"> • Falha no fornecimento de água ou da eletricidade. | <ul style="list-style-type: none"> • Verificar o fornecimento de corrente ou da água. |
| Funcionamento para por um período de tempo | <ul style="list-style-type: none"> • O aparelho exibe um código de erro. • Problema devido a padrão de carga. • O programa efetua o ciclo de enxaguamento. | <ul style="list-style-type: none"> • Considerar os códigos no visor. • Reduzir ou ajustar a carga.Reduzir a carga. • Cancelar o programa e reiniciar. |
| Espuma excessiva a flutuar na cuba e/ou na gaveta do detergente. | <ul style="list-style-type: none"> • O detergente não é o apropriado. • Uso excessivo de detergente. | <ul style="list-style-type: none"> • Verificar as recomendações do detergente. • Reduzir a quantidade de detergente. |
| Ajuste automático do tempo de lavagem. | <ul style="list-style-type: none"> • A duração do programa de lavagem será ajustada. | <ul style="list-style-type: none"> • Isto é normal e não afeta o funcionamento. |
| A centrifugação falha. | <ul style="list-style-type: none"> • Desequilíbrio da carga. | <ul style="list-style-type: none"> • Verificar a carga da máquina e a roupa e fazer um programa de centrifugação de novo. |
| Resultados da lavagem não satisfatórios. | <ul style="list-style-type: none"> • Grau de sujidade não está de acordo com o programa selecionado. • A quantidade do detergente não é suficiente. • A carga máxima foi excedida. • A roupa não foi uniformemente distribuída no tambor. | <ul style="list-style-type: none"> • Selecionar outro programa. • Escolher o detergente de acordo com o grau de sujidade e de acordo com as especificações do fabricante. • Reduzir a carga. • Soltar a roupa. |
| Resíduos do pó de lavagem na roupa. | <ul style="list-style-type: none"> • Partículas insolúveis do detergente podem permanecer como manchas brancas na roupa. | <ul style="list-style-type: none"> • Realizar um enxaguamento extra. • Tentar esfregar os pontos na roupa seca. • Escolher outro detergente. |
| A roupa tem manchas cinzentas. | <ul style="list-style-type: none"> • Causadas por gorduras como óleos, natas ou pomadas. | <ul style="list-style-type: none"> • Pré-lavar a roupa com uma solução de limpeza especial. |

i Nota: Formação de espuma

Se durante o ciclo de centrifugação for verificada a existência de demasiada espuma, o motor para e a bomba de escoamento será ativada durante 90 segundos. Caso a eliminação da espuma não acontecer durante 3 vezes, o programa termina sem centrifugar.

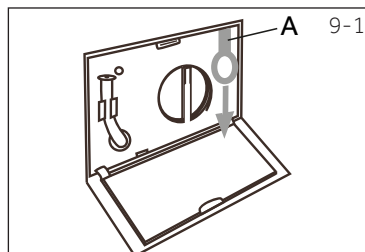
Se voltarem a aparecer mensagens de erro depois de tomadas todas as medidas, desligar o aparelho, desligar a alimentação e contactar o serviço de apoio ao cliente.

9.4 No caso de falha de energia

O programa atual e a respetiva definição foram guardados. Quando o fornecimento de energia é reposto, a operação será reiniciada.

Em caso de falta de energia durante a execução do programa, a abertura da porta é bloqueada mecanicamente. Se a roupa tiver de ser retirada, o nível de água não deve ser visível na porta de vidro. - Perigo de queimadura!

- ▶ Reduzir o nível de água de acordo com os passos 1 a 6 do capítulo CUIDADOS E LIMPEZA (FILTRO DA BOMBA).
- ▶ Puxar a alavanca (A) por baixo da aba de reparação (Fig. 9-1) até que a porta fique desbloqueada fazendo um clique suave.
- ▶ Reparar todas as peças e fechar a aba de reparação.



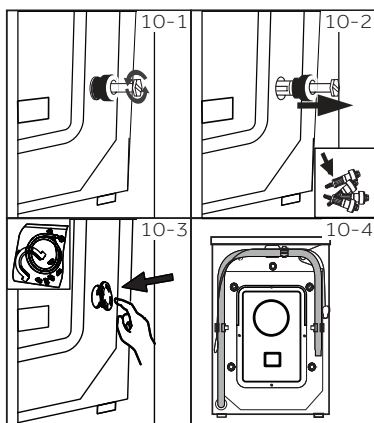
10.1 .Preparação

- ▶ Retirar o aparelho da embalagem.
- ▶ Remover todos os materiais da embalagem incluindo a base de poliestireno, mantê-los longe do alcance das crianças. Enquanto está a abrir a embalagem, podem ser observadas gotas de água no saco de plástico e no óculo. Este é um fenómeno normal que resulta dos teste de água realizados na fábrica.



Nota: Eliminação da embalagem.

Mantener todos os materiais de embalagem fora do alcance das crianças e eliminá-los de forma ecológica.



10.2 Desmontar os parafusos de transporte

Os parafusos de transporte são destinados a bloquear os componentes internos em relação à vibração durante o transporte do aparelho a fim de evitar danos no interior.

1. Retire todos os 4 parafusos da parte de trás e retire a junta de plástico(Fig. 10-1)(Fig. 10-2).
2. Preencha os furos deixados com uma tampa (Fig. 10-3) (Fig. 10-4)..



Nota: Guardar em lugar seguro.

Mantener os parafusos de transporte num local seguro para uso mais tarde. Sempre que o aparelho tiver de ser deslocado, primeiro deve voltar a colocar os parafusos.

10.3 Deslocar o aparelho

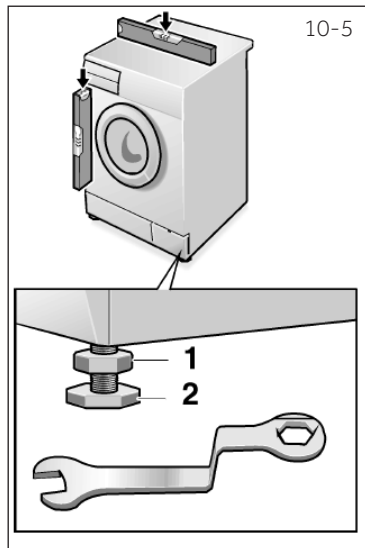
Caso a máquina tenha de ser deslocada para um local distante, voltar a colocar os parafusos de transporte retirados antes da instalação de modo a evitar danos:

1. Retirar os bujões.
2. Retirar a tampa de trás
3. Inserir os espaçadores de plástico e os parafusos de transporte.
4. Apertar os parafusos com uma chave inglesa.
5. Voltar a colocar a tampa de trás.

10.4 Nivelar o aparelho

Ajustar os pés (Fig. 10-5) para obter uma posição totalmente nivelada. Isto minimizará as vibrações e portanto o ruído durante a utilização. Também reduzirá o desgaste e o uso. Recomendamos usar um nível para o ajustamento. O pavimento deve ser estável e o mais plano possível.

1. Soltar a porca (1) usando uma chave inglesa.
2. Ajustar a altura rodando os pés (2).
3. Apertar o bloqueio (1) contra a estrutura.



10.6 Ligação do escoamento da água

Encaixar corretamente a mangueira de escoamento da água ao tubo. A mangueira tem de alcançar um ponto em altura entre 80 e 100 cm acima da linha de base do aparelho! Se possível manter sempre a mangueira de escoamento encaixada na mola na parte de trás do aparelho.



ADVERTÊNCIA!

- ▶ Usar apenas a mangueira fornecida para a ligação.
- ▶ Nunca reutilizar mangueiras já usadas!
- ▶ Ligar apenas à alimentação da água fria.
- ▶ Antes da ligação, verificar se a água está limpa e transparente.

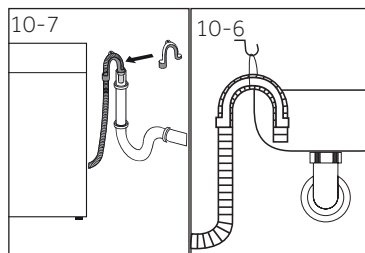
São possíveis as seguintes ligações:

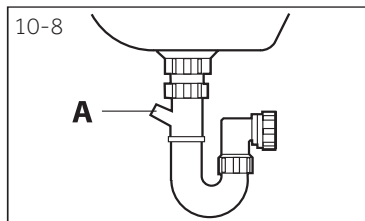
10.5.1 Mangueira de escoamento para o lavatório

- ▶ Pendurar a mangueira de escoamento com o suporte em U por cima do rebordo do lavatório com o tamanho adequado (Fig. 10-6).
- ▶ Proteger o suporte U o suficiente em relação a deslizamento.

10.5.2 Mangueira de escoamento para ligação da água usada

- ▶ O diâmetro interno do tubo de suporte com o orifício de ventilação tem de ser de um mínimo de 40 mm.
- ▶ Colocar a mangueira de escoamento a aproximadamente 80 mm do tubo de água usada.
- ▶ Ligar o suporte U e fixá-lo o suficiente (Fig. 10-7).





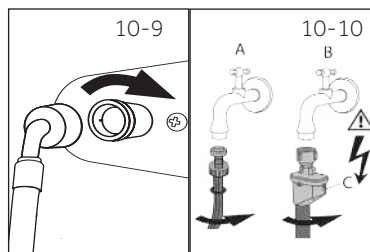
10.5.3 Mangueira de escoamento para ligação do lavatório

- ▶ A junção deve assentar por cima do sifão
- ▶ Uma ligação à torneira é geralmente fechada através de um bloco (A). Que deve ser removido para evitar qualquer mau funcionamento (Fig. 10-8).
- ▶ Fixar a mangueira de escoamento com uma mola.



CUIDADO!

- ▶ A mangueira de escoamento não deve ser submergida em água e deve ser fixada com firmeza e sem fugas. Se a mangueira de escoamento for colocada no pavimento ou se um tubo estiver a uma altura inferior a 80 cm, a máquina de lavar roupa continuará a escoar enquanto está a encher (sifão automático).
- ▶ A mangueira de escoamento não deve ser esticada. Se necessário contactar o serviço pós-vendas.



10.7 Ligação da água potável

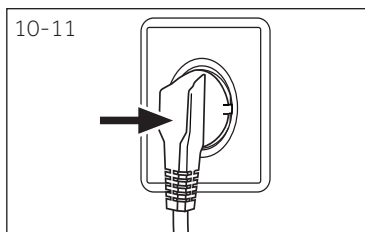
Assegurar que as juntas estão introduzidas.

1. Ligar a mangueira de entrada da água com o extremo angulado para o aparelho (Fig. 10-9). Apertar manualmente a junta do parafuso.
2. A outra extremidade liga a uma torneira de água com uma rosca de 3/4 (Fig. 10-10).



Nota: Sistema Aqua-stop:

Alguns modelos estão equipados com uma mangueira de entrada aqua-stop (B). O sistema aqua-stop protege contra danos provocados pela água cortando automaticamente o fornecimento de água potável em caso de fuga. Isto é indicado por um marcador vermelho (C). A mangueira tem de ser substituída.



10.8 Ligação elétrica

Antes de cada ligação verificar se:

- ▶ fonte de alimentação, tomada e fusível são adequados à placa de características.
- ▶ a tomada de alimentação tem ligação à terra e se não são usadas fichas múltiplas ou extensão.
- ▶ a ficha e tomada de alimentação estão estritamente de acordo.
- ▶ **Apenas RU:** A ficha RU está conforme a norma BS1363A.

Colocar a ficha na tomada (Fig. 10-11).



ADVERTÊNCIA!

- ▶ Assegurar sempre que todas as ligações (fonte de alimentação, mangueira de escoamento e de alimentação de água) estão fixas, secas e sem fugas.
- ▶ Ter cuidado para que estas partes nunca sejam esmagadas, dobradas ou torcidas.
- ▶ Se o cabo de alimentação estiver danificado, deve ser substituído pelo agente de assistência (ver cartão de garantia) de modo a evitar algum perigo. .



Nota: Higiene

Após cada instalação ou longos períodos de não utilização, recomendamos realizar o programa HIGIÉNICO sem carga e com uma pequena quantidade de detergente no compartimento do detergente (2) ou uma solução especial para máquina para remover resíduos que possam ser corruptíveis.

10.8 Instruções de instalação de almofadas redutoras do ruído (2.2 Acessórios Esponja)

1. Quando abrir a embalagem de retenção, irá localizar as almofadas de redução do ruído. Estas são usadas para reduzir ruído. (Fig. 10-12).

2. Deitar a máquina de lavar para um dos lados, com o óculo

voltado para cima, a parte inferior voltada para o operador.

3. Retirar as almofadas de redução do ruído e remover a

película de proteção autocolante de dupla face; as almofadas

de redução do ruído por baixo da estrutura da máquina de lavar

conforme mostrado na Figura 10-13 (duas almofadas mais compridas na posição

1 e 3, duas almofadas mais curtas na posição 2 e 4). Finalmente

colocar de novo a máquina na posição vertical.

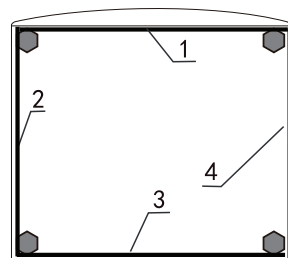
Dica:

A almofada de redução do ruído é opcional, pode ajudar a reduzir o ruído, deve montar a mesma ou não conforme as suas próprias necessidades.

10-12



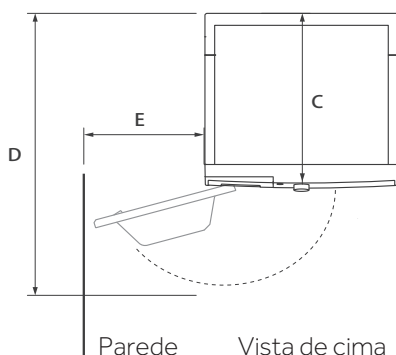
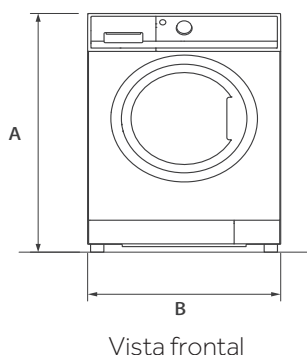
10-13



11.1 Dados técnicos adicionais

| | HW100-B1239N | HW90-B1239N | HW80-B1239N |
|------------------------|----------------------|-------------|-------------|
| Tensão em V | 220-240 V~/50Hz | | |
| Corrente em A | 10 | | |
| Potência máx em W | 2000 | | |
| Pressão de água em MPa | $0,03 \leq P \leq 1$ | | |
| Peso líquido em kg | 74 | 74 | 72 |

11.2 Dimensão do Produto



| DIMENSÕES DO PRODUTO | HW100-B1239N | HW90-B1239N | HW80-B1239N |
|---|--------------|-------------|-------------|
| A Altura total do produto mm | 850 | 850 | 850 |
| B Largura total do produto mm | 595 | 595 | 595 |
| C Profundidade total do produto (Para o tamanho do painel de controle principal) mm | 600 | 600 | 550 |
| D Profundidade da porta aberta mm | 1100 | 1100 | 1050 |
| E Distância mínima da porta à parede adjacente mm | 400 | 400 | 400 |

Nota: A altura exata da sua máquina depende do acerto da altura dos pés. O espaço em que vai instalar a máquina deve ser de pelo menos 40mm mais largo e 20mm mais profundo que as reais dimensões da máquina.

11.3 Normas e Diretivas

Este produto cumpre os requisitos de todas as diretivas CE aplicáveis com as normas harmonizadas correspondentes, previstas pela marca CE.

Recomendamos o nosso Serviço ao Cliente Haier e a utilização de peças de substituição originais.

Se tiver um problema com o seu aparelho, deve verificar primeiro a secção RESOLUÇÃO DE PROBLEMAS.

Se não conseguir encontrar uma solução lá, deve contactar

- ▶ o seu revendedor local ou
- ▶ A área de Reparação e Apoio em www.haier.com onde pode encontrar os números de telefone e as Perguntas Frequentes e onde pode ativar um pedido de assistência.

Para contactar o nosso Serviço, assegurar que tem os seguintes dados disponíveis.

A informação pode ser encontrada na placa de características.

Modelo _____ N° de série _____

Verificar também o Cartão de Garantia fornecido com o produto em caso de garantia.

Para pedidos gerais de negócios abaixo indicamos os nossos endereços na Europa:

| Endereços europeus da Haier | | | |
|------------------------------------|--|--|--|
| País* | Endereço postal | País* | Endereço postal |
| Itália | Haier Europe Trading S.r.l Via De Cristoforis, 12 21100 Varese ITÁLIA | França | Haier France SAS 3-5 rue des Graviers 92200 Neuilly sur Seine FRANÇA |
| Espanha Portugal | Haier Europe, Candy Hoover Portugal, Lda Rua Duque de Palmela nº 25 – 2º Andar – 1250 -097 Lisboa PORTUGAL | Bélgica - FR Bélgica - PB Países Baixos Luxemburgo | Haier Benelux SA Anderlecht Route de Lennik 451 BÉLGICA |
| Alemanha Áustria | Haier Deutschland GmbH Hewlett-Packard-Str. 4 D-61352 Bad Homburg ALEMANHA | Polónia República Checa Hungria Grécia Roménia Rússia | Haier Poland Sp. zo.o. Al. Jerozolimskie 181B 02-222 Warszawa POLÓNIA |
| Reino Unido | Haier Appliances UK Co.Ltd. One Crown Square Church Street East Woking, Surrey, GU21 6HR RU | | |

*Para mais informação deve consultar www.haier.com



Haier

0020509288V